

PLATINUM SMART-HEAT[®]GAS



KEY FEATURES

- ▶ **Efficient Heat Distribution:** The signature ceramic-glass screen ensures even heat coverage across large areas, enhancing performance.
- ▶ **High Heating Capacity:** Available in 25 MJ and 42 MJ models, effectively warming outdoor areas up to 20 m².
- ▶ **Durable Construction:** Crafted with premium materials, including a sleek ceramic glass screen and a stainless steel body, ensuring longevity and reliability.
- ▶ **High Wind Resistance:** Designed to maintain performance in wind speeds up to 20 km/h, ensuring consistent heating in outdoor environments.

MODEL OPTIONS



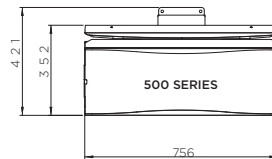
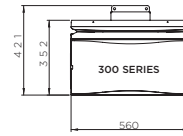
300



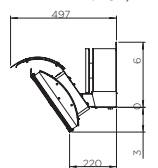
500

DIMENSIONS

FRONT PROFILE (WITH HEAT DEFLECTOR)



SIDE PROFILE (WITH HEAT DEFLECTOR)



MOUNTING OPTIONS

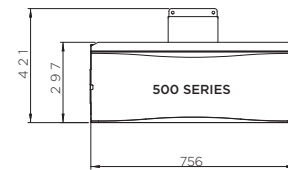
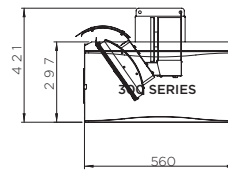


Wall Mounted

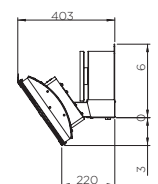


Ceiling Mounted

FRONT PROFILE (WITHOUT HEAT DEFLECTOR)



SIDE PROFILE (WITHOUT HEAT DEFLECTOR)



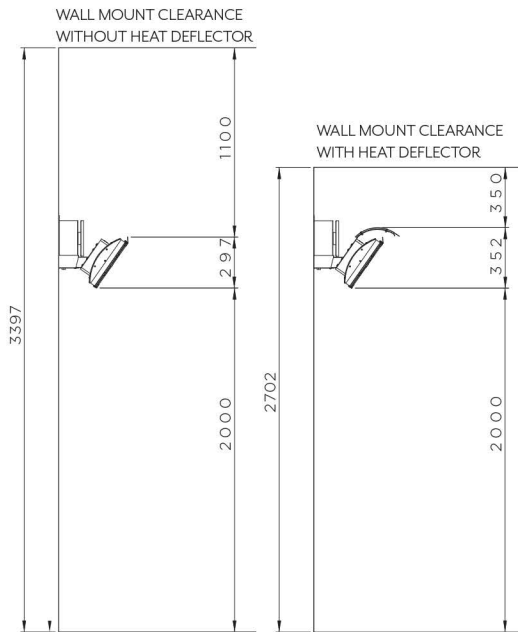


SPECIFICATIONS

PRODUCT NUMBER	MODEL	FUEL SOURCE	HEAT AREA	WEIGHT	RATED CURRENT	MINIMUM FLOOR CLEARANCE	APPROVAL CERTIFICATION	IP RATING	CONTROL OPTIONS
Various	300	NG & LPG	12m ²	15kgs	220-240V/2A	2000mm	UKCA-Intertek UK-GZH-0359-0000091	IPX4	Affinity On/Off Manual Wall Switch
Various	500	NG & LPG	20m ²	20kgs	220-240V/2A				

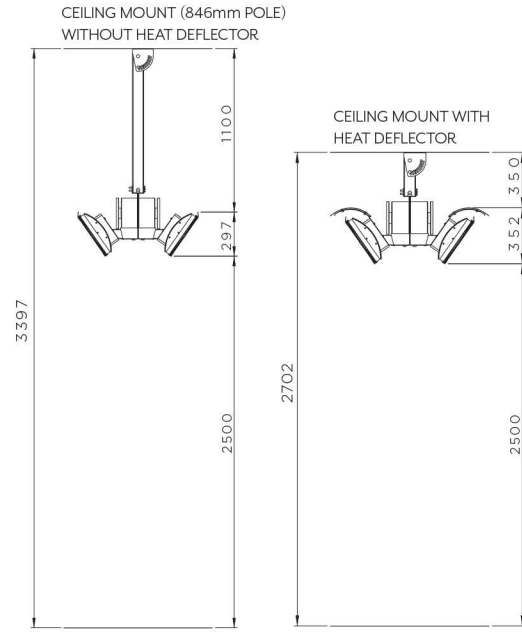
CLEARANCES

INCLUDED MOUNT



MOUNTING ACCESSORIES

(AVAILABLE IN 246mm, 346mm, 446mm, 646mm, 846mm AND 1046mm)



WALL BRACKET (INCLUDED)

