



PLATINUM

SMART-HEAT™ GAS



KEY FEATURES

- ▶ **Efficient Heat Distribution:** The signature ceramic-glass screen ensures even heat coverage across large areas, enhancing comfort
- ▶ **High Heating Capacity:** Available in 25 MJ and 42 MJ models, effectively warming outdoor areas up to 20 m²
- ▶ **Durable Construction:** Built with premium materials, including a sleek ceramic glass screen and a fully enclosed body, ensuring longevity and reliability
- ▶ **High Wind Resistance:** Designed to maintain performance in wind speeds up to 20 km/h, ensuring consistent heating in outdoor environments

MODEL OPTIONS



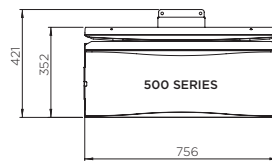
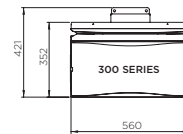
300



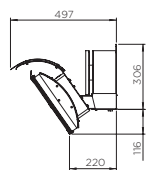
500

DIMENSIONS

FRONT PROFILE (WITH HEAT DEFLECTOR)



SIDE PROFILE (WITH HEAT DEFLECTOR)



MOUNTING OPTIONS

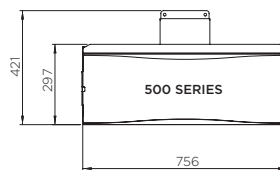
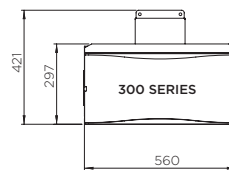


Wall Mounted

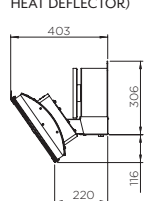


Ceiling Mounted

FRONT PROFILE (WITHOUT HEAT DEFLECTOR)



SIDE PROFILE (WITHOUT HEAT DEFLECTOR)



Discover more about *Platinum Smart-Heat™ Gas*

Learn more at bromic.com



BROMIC
HEATING

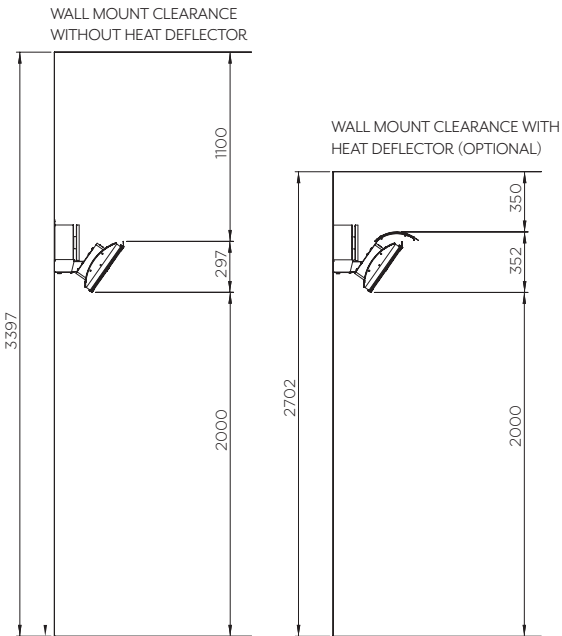


SPECIFICATIONS

| PRODUCT NUMBER | MODEL | FUEL SOURCE | HEAT AREA | WEIGHT | RATED CURRENT | MINIMUM FLOOR CLEARANCE | APPROVAL CERTIFICATION | IP RATING | CONTROL OPTIONS |
|-----------------------|-------|-------------|------------------|--------|---------------|-------------------------|----------------------------|-----------|-----------------|
| 2620131-1 2620130-1 | 300 | NG & LPG | 12m ² | 15kgs | 220-240V/2A | 2000mm | Global Mark GAS-100177-002 | IPX4 | Affinity On/Off |
| 2620141-1 2620140-1 | 500 | NG & LPG | 20m ² | 20kgs | 220-240V/2A | | | | |

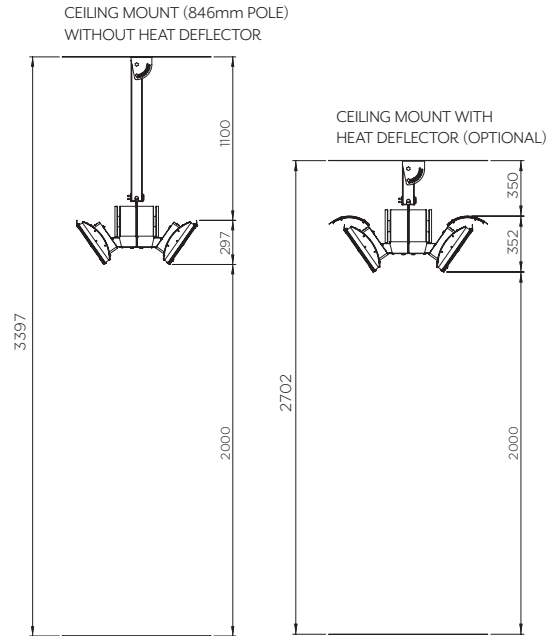
CLEARANCES

INCLUDED MOUNT



MOUNTING ACCESSORIES

(AVAILABLE IN 246mm, 446mm, 646mm, 846mm AND 1046mm)



WALL BRACKET (INCLUDED)

