



TUNGSTEN

SMART-HEAT™ GAS



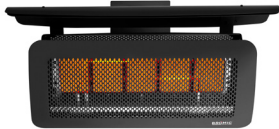
KEY FEATURES

- ▶ **Stylish Industrial Design:** Features a matte black finish with a distinctive honeycomb mesh surface, transforming the traditional style of fixed gas outdoor heaters
- ▶ **High Heating Capacity:** Available in 26,000 BTU and 43,000 BTU models, effectively warming outdoor areas up to 215 ft²
- ▶ **Durable Construction:** Built with premium materials ensuring longevity and reliability
- ▶ **Pivot Arm Bracket:** For greater directional control of the heater making it easy to adjust the flow of heat, so radiant heat is delivered where it's needed

MODEL OPTIONS



300



500

MOUNTING OPTIONS



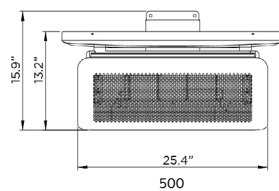
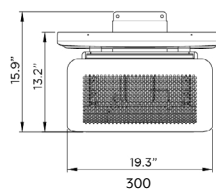
Wall Mounted



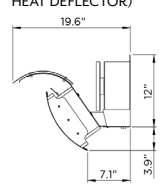
Ceiling Mounted

DIMENSIONS

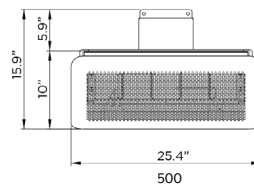
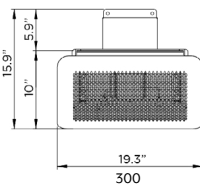
FRONT PROFILE (WITH HEAT DEFLECTOR)



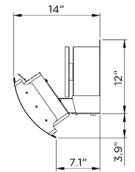
SIDE PROFILE (WITH HEAT DEFLECTOR)



FRONT PROFILE (WITHOUT HEAT DEFLECTOR)



SIDE PROFILE (WITHOUT HEAT DEFLECTOR)



Discover more about *Tungsten Smart-Heat™ Gas*

Learn more at bromic.com





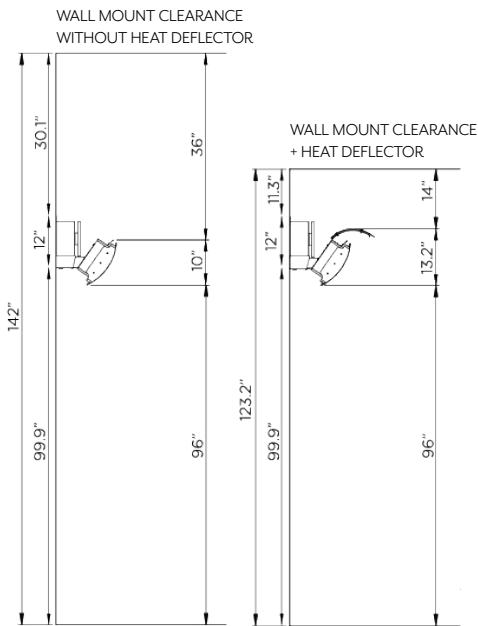
SPECIFICATIONS

MODEL	HEAT AREA	WEIGHT	RATED CURRENT	MINIMUM FLOOR CLEARANCE	APPROVAL CERTIFICATION	IP RATING	CONTROL OPTIONS
300	160ft ²	33lbs.	110V/2A	96"	Intertek 4009079	IPX4	Affinity On/Off Manual Wall Switch
500	215ft ²	44lbs.	110V/2A				

* In ideal conditions

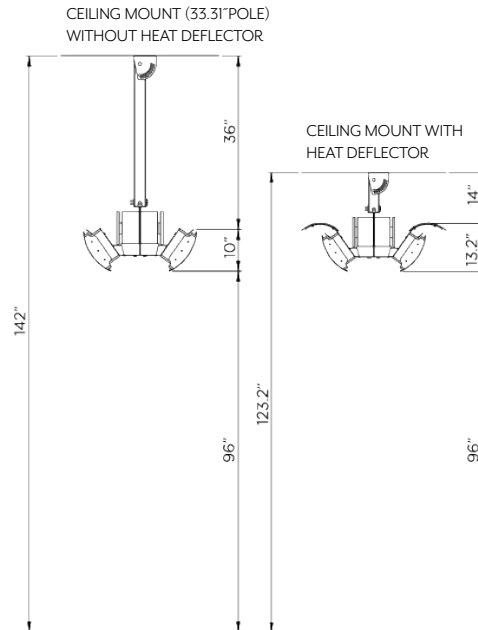
CLEARANCES

INCLUDED MOUNT



MOUNTING ACCESSORIES

(AVAILABLE IN 9.69", 13.62", 17.56", 25.43", 33.31" AND 41.18")



WALL BRACKET

