



PLATINUM

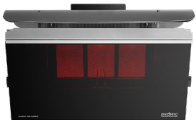
SMART-HEAT™ GAS



KEY FEATURES

- ▶ **Efficient Heat Distribution:** The signature ceramic-glass screen ensures even heat coverage across large areas, enhancing comfort
- ▶ **High Heating Capacity:** Available in 23,600 BTU and 39,800 BTU models, effectively warming outdoor areas up to 215 ft²
- ▶ **Durable Construction:** Built with premium materials, including a sleek ceramic glass screen and a fully enclosed body, ensuring longevity and reliability
- ▶ **High Wind Resistance:** Designed to maintain performance in wind speeds up to 12 mph, ensuring consistent heating in outdoor environments.

MODEL OPTIONS



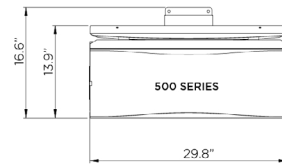
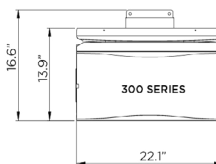
300



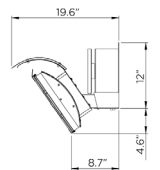
500

DIMENSIONS

FRONT PROFILE (WITH HEAT DEFLECTOR)



SIDE PROFILE (WITH HEAT DEFLECTOR)



MOUNTING OPTIONS

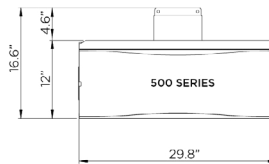
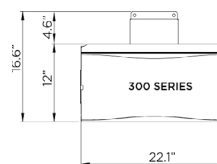


Wall Mounted

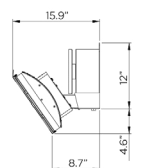


Ceiling Mounted

FRONT PROFILE (WITHOUT HEAT DEFLECTOR)



SIDE PROFILE (WITHOUT HEAT DEFLECTOR)



Discover more about *Platinum Smart-Heat™ Gas*

Learn more at bromic.com



BROMIC
HEATING

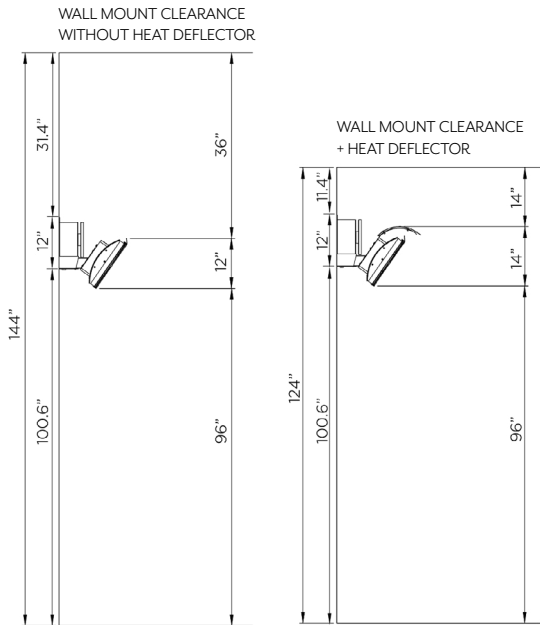


SPECIFICATIONS

| MODEL | FUEL SOURCE | HEAT AREA | WEIGHT | RATED CURRENT | MINIMUM FLOOR CLEARANCE | APPROVAL CERTIFICATION | IP RATING | CONTROL OPTIONS |
|-------|-------------|--------------------|--------|---------------|-------------------------|------------------------|-----------|---------------------------------------|
| 300 | NG & LPG | 160ft ² | 33lbs. | 110V/2A | 96" | Intertek 4009079 | IPX4 | Affinity On/Off Manual Wall Switch |
| 500 | NG & LPG | 215ft ² | 44lbs. | 110V/2A | | | | |

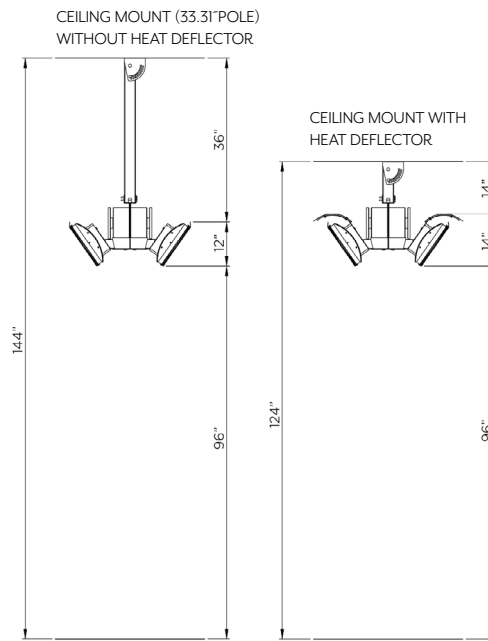
CLEARANCES

INCLUDED MOUNT



MOUNTING ACCESSORIES

(AVAILABLE IN 9.69", 13.62", 17.56", 25.43", 33.31" AND 41.18")



WALL BRACKET (INCLUDED)

