

ECLIPSE

SMART-HEAT™ PORTABLE



KEY FEATURES

- ▶ **Freestanding & Versatile:** Designed for non-fixed installations with easy plug-and-play functionality—providing effortless setup and flexibility for any outdoor space
- ▶ **Dual Functionality:** Combines efficient radiant heating with a dimmable LED lighting rail, allowing seamless transition from dinner to drinks while enhancing ambiance
- ▶ **Contemporary Design:** Features a striking, elegant design with a swan neck, weighted base, contemporary matte black finish and a radial ceramic screen
- ▶ **Adjustable Heat & Light Settings:** Offers three different heat (33%, 66%, 100%) and incremental light outputs, providing customizable comfort and ambiance

MODEL

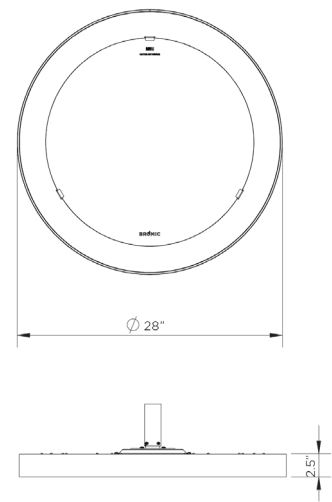
FRONT PROFILE



SIDE PROFILE



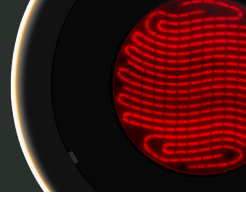
DIMENSIONS



Discover more about *Eclipse Smart-Heat™ Portable*

Learn more at [bromic.com](https://www.bromic.com)

BROMIC
HEATING



SPECIFICATIONS

WATTAGE	HEAT AREA	WEIGHT	RATED CURRENT	MINIMUM FLOOR CLEARANCE	APPROVAL CERTIFICATION	IP RATING	CONTROL OPTIONS
2900W	121ft ²	383lbs.	220-240V/12.1A	79"	SGS / NA SGSNA/21/ GZ/00074	IP54	Affinity Eclipse Manual Wall Switch

CLEARANCES

