

# AFFINITY ECLIPSE

## SMART-HEAT™ CONTROLS



### KEY FEATURES

- ▶ **Various Models Available:** 1 and 5 channel input options for our fixed Eclipse Pendant, with the 1 channel Eclipse Dimmer Series already included in our Eclipse Portable outdoor heater.
- ▶ **Wifi & Bluetooth Connectivity:** Using the enabled Wi-Fi (compatible with 2.4GHz) or Bluetooth connectivity, control and customize your comfort via the Bromic Heating app.
- ▶ **Flexible Heat & Light Control:** Instantly and precisely adjust heat and light output down to 1% increments.
- ▶ **Advanced Features:** Set timers and schedules, create heating zones and manage multiple sites.
- ▶ **Admin-Friendly:** Multi-user management with customizable admin controls.

### AFFINITY ECLIPSE CONTROLS



Eclipse 1 Channel



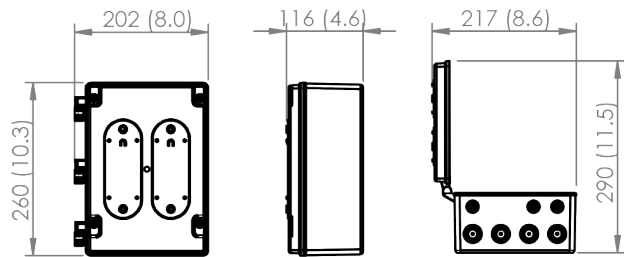
Eclipse 5 Channel



Expansion Board  
(Included with 5 Channel model)

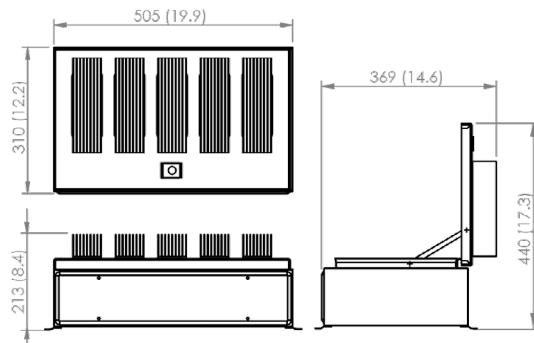
### DIMENSIONS

Affinity Eclipse 1 Channel



Dimensions shown in mm (inches)

Affinity Eclipse 5 Channel



Discover more about *Affinity Eclipse Smart-Heat™ Controls*

Learn more at [bromic.com](http://bromic.com)

**BROMIC**  
HEATING

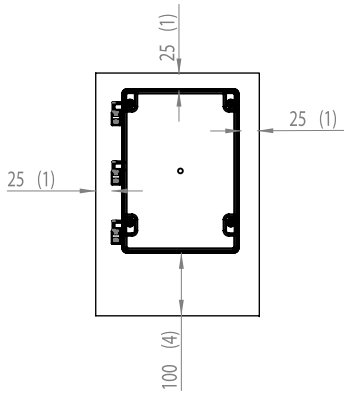


## SPECIFICATIONS

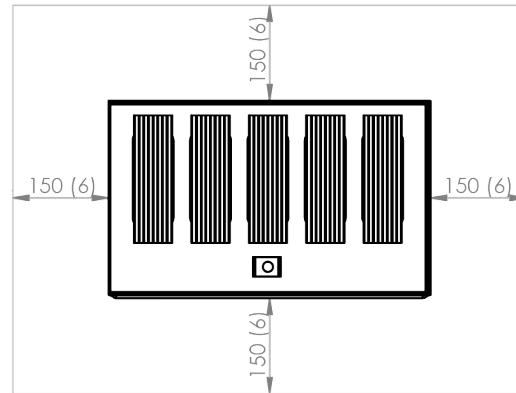
	MODEL	HEATER COMPATIBILITY	WEIGHT	OPERATING CAPACITY	VOLTAGE	IP RATING
Affinity Eclipse Controller	1 Channel	Eclipse Electric Eclipse Portable	3.5 lbs.	4000W	220-240V	IP54
	5 Channel	Eclipse Electric	33.1 lbs.	6000W (30A Max)	220-240V	

## CLEARANCES

### ECLIPSE 1 CHANNEL



### ECLIPSE 5 CHANNEL

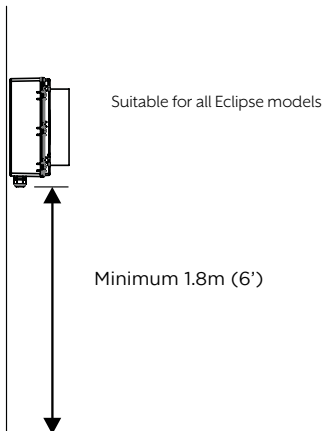


Dimensions shown in mm (inches)

## MOUNTING OPTIONS

### WALL MOUNTING

Mounting is required at 6' mounting height for the Eclipse 5 Channel control. Location should be selected to avoid accidental contact.



### CEILING MOUNTING

