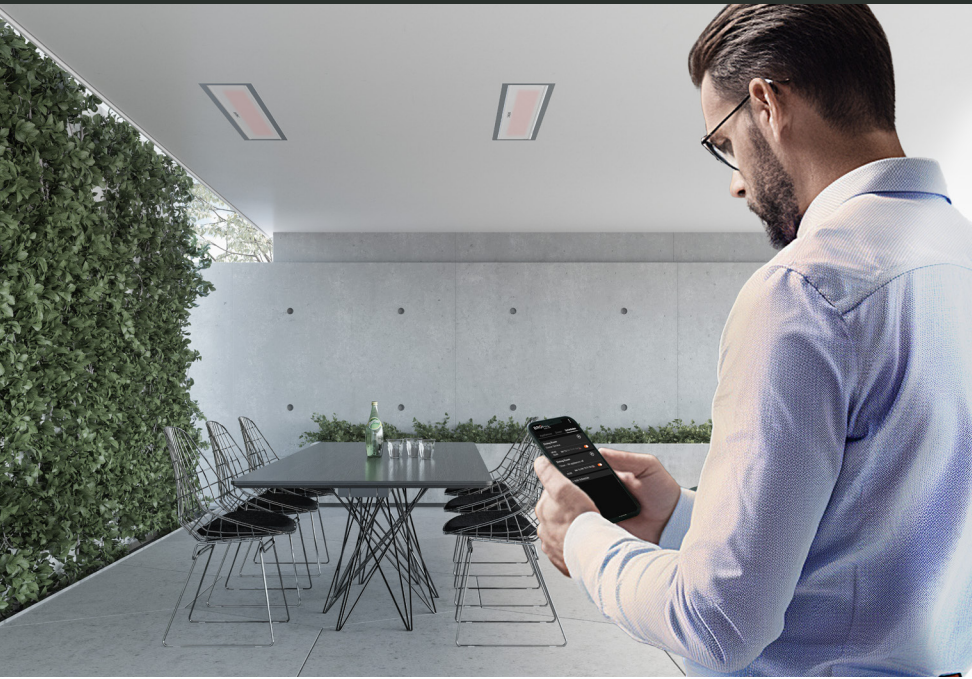




AFFINITY DIMMER

SMART-HEAT™ CONTROLS



KEY FEATURES

- ▶ **Various Models Available:** This series includes options for 1, 2, and 5 channel inputs with each channel input controlling up to 6000W of power.
- ▶ **Wifi & Bluetooth Connectivity:** Using the enabled Wi-Fi (compatible with 2.4GHz) or Bluetooth connectivity, control and customize your comfort via the Bromic Heating app.
- ▶ **Flexible Heat Control:** Instantly and precisely adjust heat output down to 1% increments.
- ▶ **Advanced Features:** Set timers and schedules, create heating zones and manage multiple sites.
- ▶ **Admin-Friendly:** Multi-user management with customizable admin controls.

AFFINITY DIMMER CONTROLS



Dimmer 1 Channel



Dimmer 2 Channel



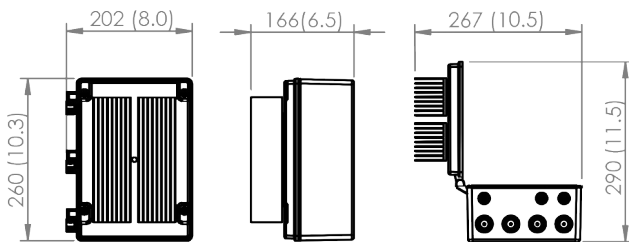
Dimmer 5 Channel



Expansion Board
(Included with 5 Channel model)

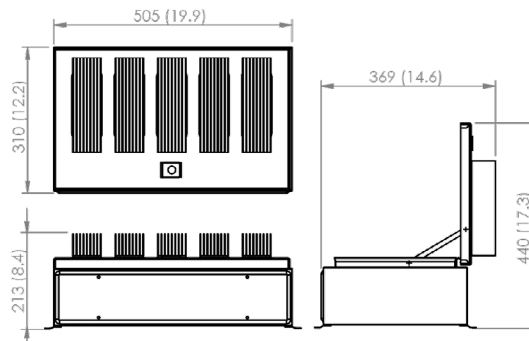
DIMENSIONS

Affinity Dimmer 1 & 2 Channel



Dimensions shown in mm (inches)

Affinity Dimmer 5 Channel



Discover more about *Affinity Dimmer Smart-Heat™ Controls*

Learn more at bromic.com



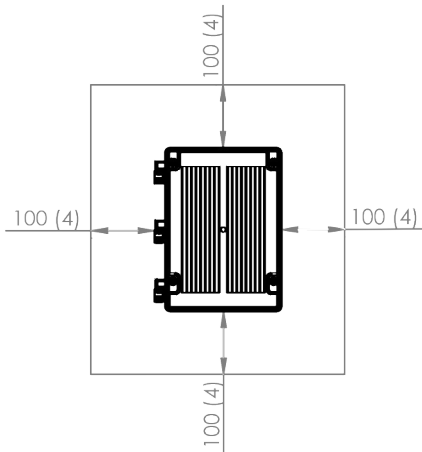


SPECIFICATIONS

	MODEL	HEATER COMPATIBILITY	WEIGHT	MAX WATTAGE PER CHANNEL	VOLTAGE	IP RATING
Affinity Dimmer Controller	1 Channel	Platinum Electric Tungsten Electric	3.1 lbs.	6000W	208V-277V	IP54
	2 Channel	Platinum Electric Tungsten Electric	3.6 lbs.	6000W	208V-277V	
	5 Channel	Platinum Electric Tungsten Electric	27.6 lbs.	6000W	208V-277V 3 Phase	

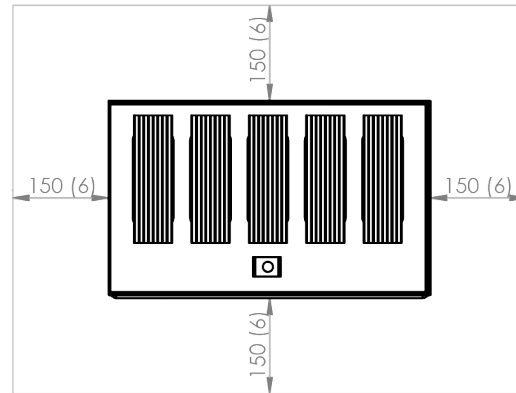
CLEARANCES

DIMMER 1 & 2 CHANNEL



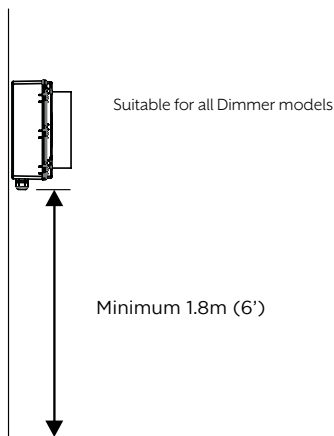
Dimensions shown in mm (inches)

DIMMER 5 CHANNEL



MOUNTING OPTIONS

WALL MOUNTING



CEILING MOUNTING

