



# ON/OFF CONTROLS



**ON/OFF 1 & 2 CHANNEL**



**ON/OFF 5 CHANNEL**

**DESCRIPTION:**

The Affinity On/Off series, available in 3 models - single channel, dual channel and five channel, allows for connected Platinum or Tungsten Collection gas or electric Bronic Heaters to be turned on or off at full power capacity – providing straight forward function and usage of your outdoor heater.

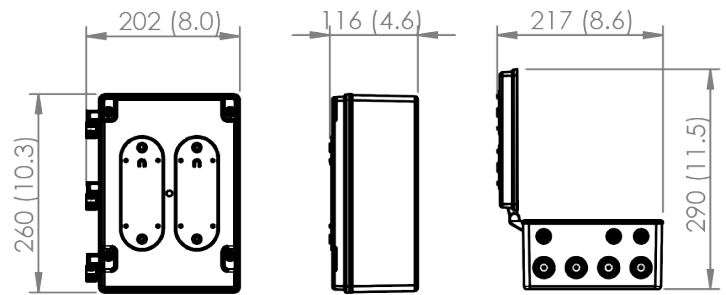
The 1 and 2 channel models provide both Bluetooth and Wi-fi communication capabilities using the Bronic App. The 5 channel model includes options for ethernet connectivity or BMS integration via 0-10 VDC built-in. Ethernet and BMS/HAS connectivity can be added to the single channel and dual channel models via an optional expansion board.

The new design allows the controls to be mounted in a variety of convenient locations both indoors and outdoors, within the range of the site's internet connectivity and operates using a smart device with a Bluetooth or Wi-Fi connection.

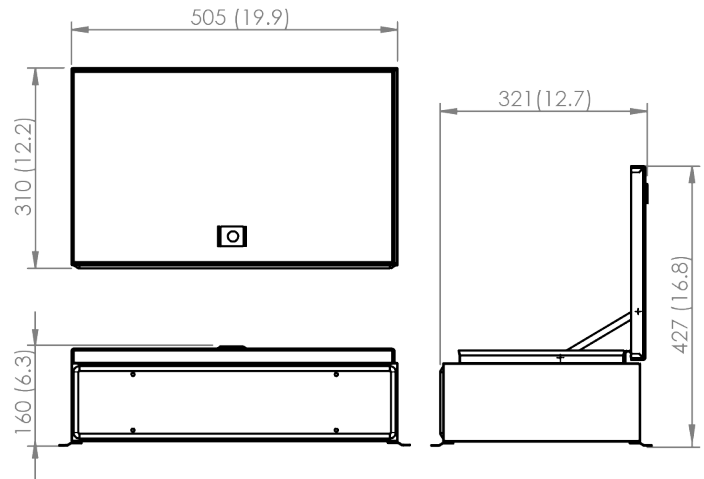
The Bronic Smart-Heat App is available on the App Store and Google Play Store.

**DIMENSIONS:**

\*Dimensions shown in mm (inches)



**ON/OFF 1 & 2 CHANNEL**

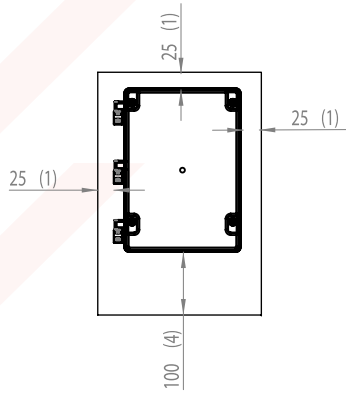


**ON/OFF 5 CHANNEL**

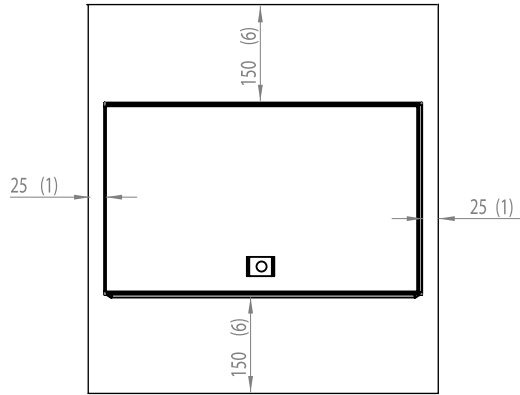
# CLEARANCES

Allow sufficient clearance for cabling.

\*Clearances shown in mm (inches)



**ON/OFF 1 & 2 CHANNEL**

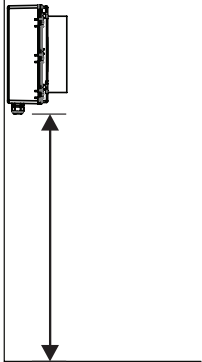


**ON/OFF 5 CHANNEL**

## MOUNTING OPTIONS:

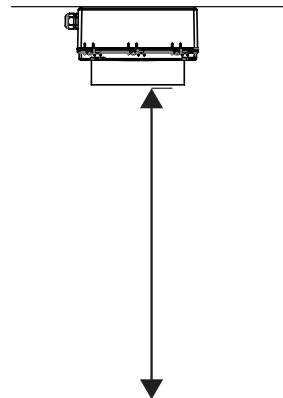
Mounting location should be selected to avoid accidental contact.

### Wall Mounting



Suitable for all OnOff models.

### Ceiling Mounting



Suitable for only the OnOff Channel 1 & 2 models.



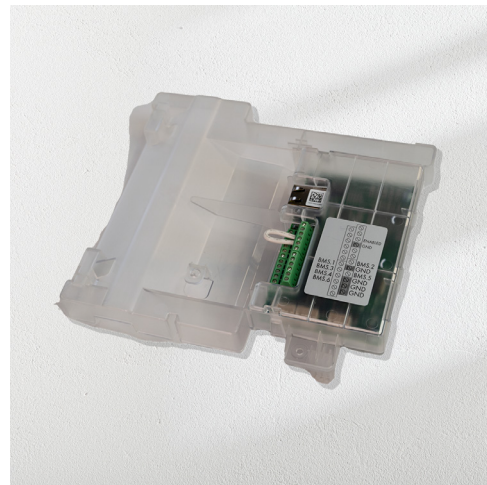
# PRODUCT SPECIFICATIONS

Model	Smart-Heat Control On/Off 1 CH	Smart-Heat Control On/Off 2 CH	Smart-Heat Control On/Off 5 CH
Part Number	BH3130051	BH3130052	BH3130053
Number of Channels	1	2	5
Voltage - Max Capacity Per Channel	100-127V - 1kW 220-240V - 6kW	100-127V - 1kW 220-240V - 6kW	3N- 220/380V - 6kW 3N- 230/400V - 6kW 3N- 240/415V - 6kW 3N- 277/480V - 6kW
Operating Temperature Range	-20°C to +30°C	-20°C to +30°C	-20°C to +30°C
Non-Operating Temperature Range	-30°C to +70°C	-30°C to +70°C	-30°C to +70°C
Protection Rating	IP54	IP54	IP54
Dimensions	290 x 202 x 112mm	290 x 202 x 112mm	500 x 340 x 202mm
Weight	1.4kg	1.6kg	11.0 kg / 24.3lb

This equipment complies with EN/IEC 61000-3-II. For more information including mounting requirements, wiring diagrams and controller clearances, please refer to the Installation Manual.

## OPTIONAL ACCESSORY

Bromic's Expansion Board accessory option for the 1 and 2 channel On/Off and Dimmer controls, allows for seamless ethernet integration for a full-proof connection to your outdoor heaters managed via the Bromic Heating app. Additional 0-10V connections allow for seamless plug and play to your Home Automation System or Business Management System.



SCAN TO LEARN  
MORE ABOUT  
OUR CONTROLS



SCAN TO LEARN  
MORE ABOUT  
OUR APP

**BROMIC**  
HEATING