

MANUAL OUTDOOR WALL SWITCH



OUTDOOR DOUBLE POLE WALL SWITCH
ONE ELEMENT HEATER



OUTDOOR DOUBLE POLE WALL SWITCH
TWO ELEMENT HEATER

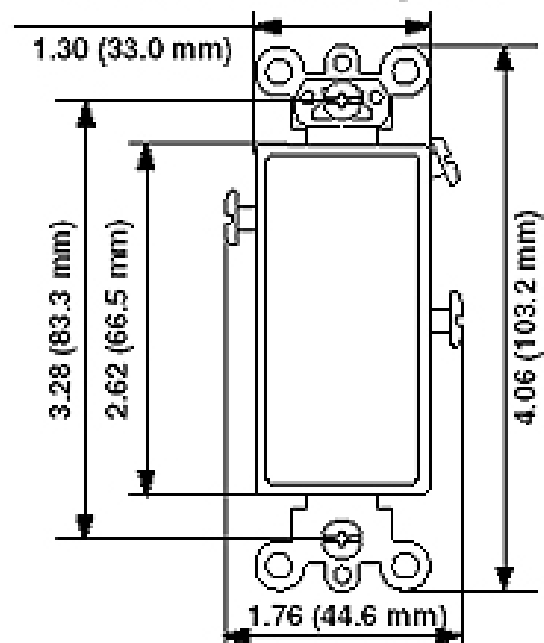
DESCRIPTION:

Bromic Heating's Manual Wall Switches are the simple on/off solution for outdoor heating control. Manufactured by Leviton, these devices combine designer styling with all the benefits of rugged Commercial Grade construction including quiet switch controls and access to top or side-wired.

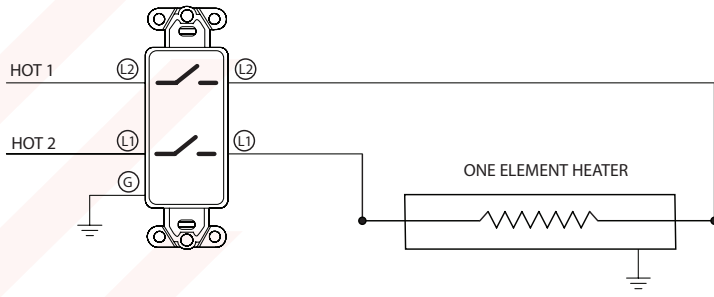
With indoor and covered outdoor single and double pole options, the 20 Amp, 120/277 volt manual wall switch can be placed where convenient access is needed. Ideal for individual element control.

DIMENSIONS:

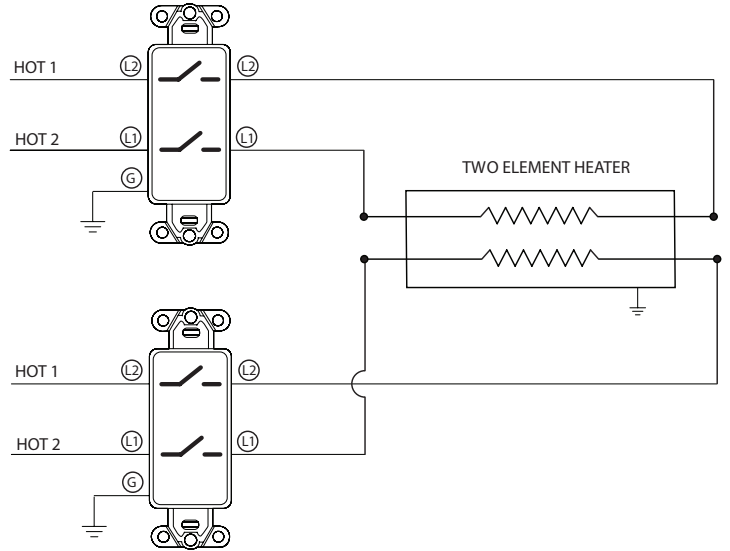
*Dimensions shown in inches (mm)



WIRING DIAGRAM:



WIRING DIAGRAM FOR LEVITON DOUBLE POLE WALL SWITCH - ONE ELEMENT HEATER



WIRING DIAGRAM FOR LEVITON DOUBLE POLE WALL SWITCH - TWO ELEMENT HEATER

PRODUCT SPECIFICATIONS

| | | |
|-----------------------|---|---|
| Model | BH3130081 | BH3130082 |
| Description | Manual Single 20Amp Switch 120-277V Outdoor Kit | Manual Dual 20Amp Switch 120-277V Outdoor Kit |
| Amperage | 20 A | 20 A |
| Voltage | 120/277 VAC | 120/277 VAC |
| Operating Temperature | -140°F to 149°F | -140°F to 149°F |
| Switch Color | White | White |
| Wall-Plate Color | Grey | Grey |



SCAN TO LEARN
MORE ABOUT
OUR CONTROLS



SCAN TO LEARN
MORE ABOUT
OUR APP

BROMIC
HEATING