

ECLIPSE PENDANT CONTROLS



**ECLIPSE PENDANT 1 CHANNEL
(COMING SPRING 2025)**



**ECLIPSE PENDANT 5 CHANNEL
(COMING SPRING 2025)**

DESCRIPTION:

Bromic Heating’s new Eclipse Pendant Controls give customers complete control over both heating and light output. These units require a smart device with internet connectivity, as well as the Bromic Smart-Heat App which is available on the App Store and Google Play Store.

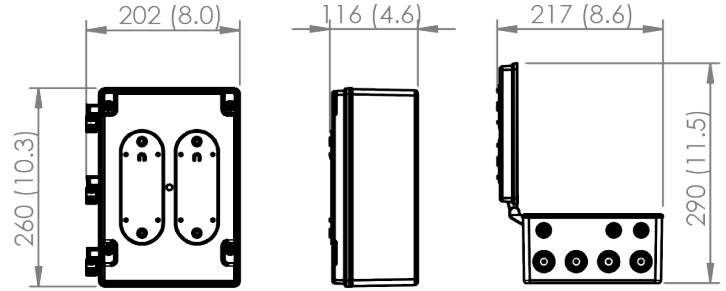
The 1 channel provides both Bluetooth and Wi-fi communication capabilities for Bromic App control. The 5 channel controllers include options for ethernet connectivity or BMS integration via 0-10 VDC built-in, whereas these features can be added to the 1 channel controllers via an optional expansion board.

The Smart-Heat Control operates using a smart device with a Bluetooth or Wi-Fi connection. The mounting location of the Smart-Heat Control must be selected to ensure that it is within range for the selected communication method. Refer to Installation Manual for mounting location requirements.

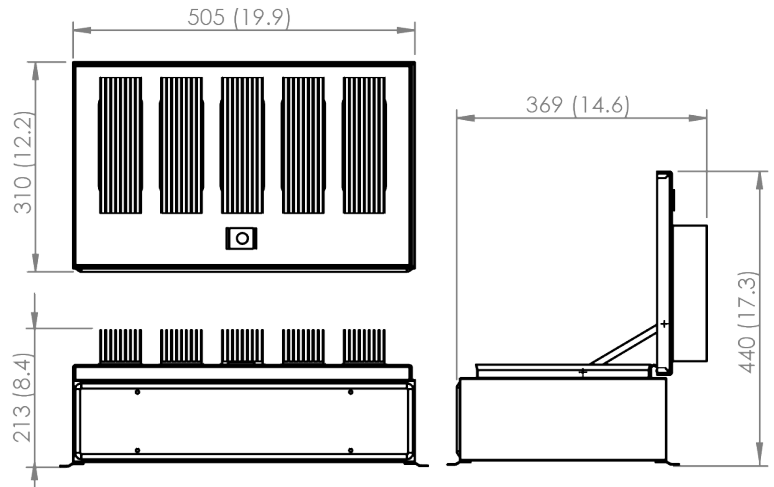
The Bromic Smart-Heat App is available on the App Store and Google Play Store.

DIMENSIONS:

*Dimensions shown in mm (inches)



ECLIPSE PENDANT 1 CHANNEL

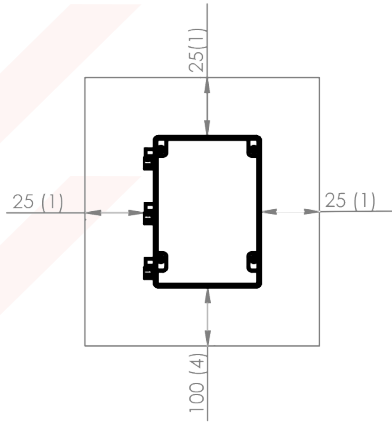


ECLIPSE PENDANT 5 CHANNEL

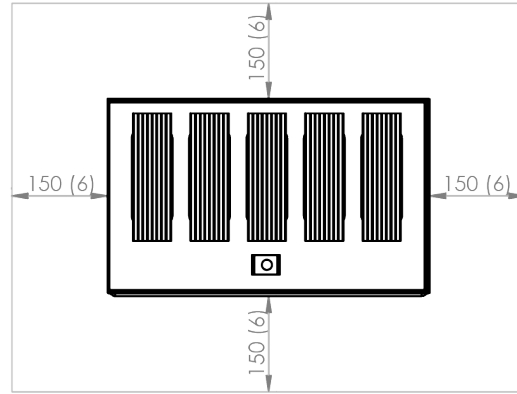
CLEARANCES

Allow sufficient clearance for cabling.

*Clearances shown in mm (inches)



ECLIPSE 1 CHANNEL

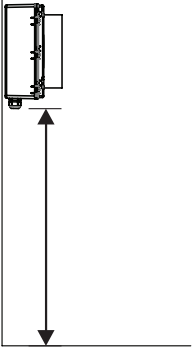


ECLIPSE 5 CHANNEL

MOUNTING OPTIONS:

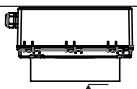
Mounting is required at 6' mounting height for the Eclipse 5 Channel control. Location should be selected to avoid accidental contact.

Wall Mounting



Suitable for all Eclipse models.

Ceiling Mounting



Dimmer (Heat Sink) models only

Minimum 1.8m (6')

Suitable for only the Eclipse Channel 1 & 2 models.



PRODUCT SPECIFICATIONS

Model	Smart-Heat Control Eclipse Pendant 1CH	Smart-Heat Control Eclipse Pendant 5 CH
Part Number	BH8380051	BH8380055
Number of Channels	1	5
Voltage	220-240V	220-240V
Operating Capacity	4kW	6kW (30A max)
Operating Temperature Range	-4°F to +86°F	-4°F to +86°F
Non-Operating Temperature Range	-22°F to +158°F	--22°F to +158°F
Protection Rating	IP54	IP54
Dimensions	11.4 x 8.0 x 4.4"	19.7 x 13.4 x 10.0"
Weight	3.5lbs	33.1lbs

This equipment complies with EN/IEC 61000-3-11. For more information including mounting requirements, wiring diagrams and controller clearances, please refer to the Installation Manual.



SCAN TO LEARN
MORE ABOUT
OUR CONTROLS



SCAN TO LEARN
MORE ABOUT
OUR APP

BROMIC
HEATING