

## ECLIPSE SMART-HEAT™ ELECTRIC

Dim the lights and turn up the heat with our  
Eclipse Smart-Heat™ Electric heater.

Available in six unique mounting options,  
the new Bronic Eclipse Smart-Heat™ series adds style,  
warmth and light to design-focused outdoor spaces.



ECLIPSE  
SMART-HEAT™ ELECTRIC

# SPECIFICATIONS

Reference the specification guide below to help you select the correct solution for your needs.

## MODEL NUMBER

PRODUCT CODE	2620621
FUEL TYPE	ELECTRIC (3400W)
COLOR	PREMIUM, DOUBLE COATED STEEL
HEAT AREA	13M <sup>2</sup>
LED COLOR	WARM WHITE - DIMMABLE
RATED CURRENT & VOLTAGE	220-240 V - A.C. - 50-60 HZ
MINIMUM FLOOR CLEARANCE	CEILING 2438MM   WALL 2438MM

## MOUNTING OPTIONS

WALL MOUNT	2620636 (OPTIONAL)
200MM STRAIGHT CEILING MOUNT POLE	2620631 (OPTIONAL)
600MM STRAIGHT CEILING MOUNT POLE	2620632 (OPTIONAL)
600MM TWIN STRAIGHT CEILING MOUNT POLE	INCLUDED
600MM CURVED CEILING MOUNT POLE	2620634 (OPTIONAL)
1200MM STRAIGHT CEILING MOUNT POLE	2620635 (OPTIONAL)

## CONTROL OPTIONS

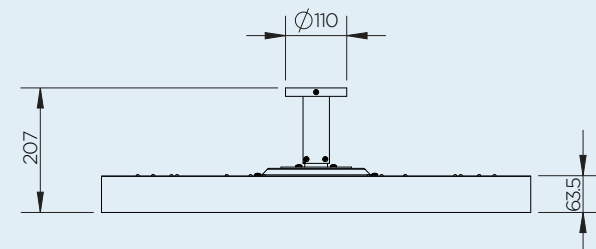
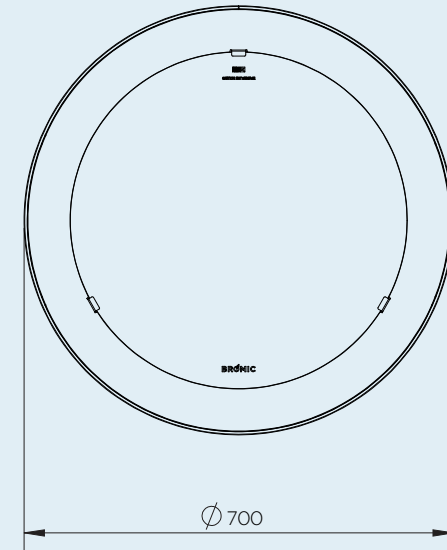
DIMMER CONTROL	INCLUDED
42 CHANNEL REMOTE	2620277 (OPTIONAL)

Measurements displayed within this document are minimum requirements for installation. Bromic takes no responsibility for incorrect or non-compliant installations. All measurement in this document are displayed in mm.

# DIMENSIONS

With a wide range of sizes available, find the ideal heater to suit your outdoor space.

## PRODUCT MEASUREMENTS

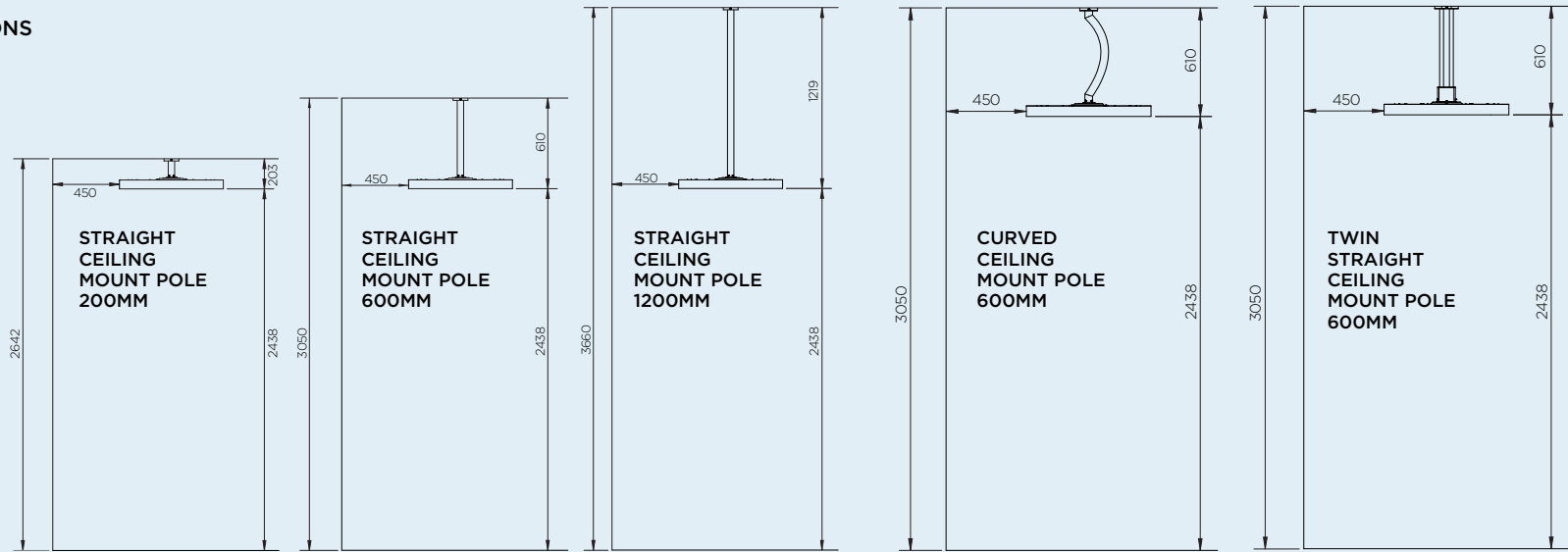


# CLEARANCE

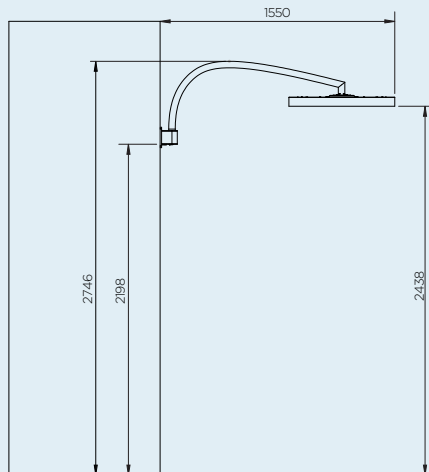
With a wide array of mounting options, Bromic offers solutions to compliment any décor and provide functionality for ambiance and comfort.

## MOUNTING OPTIONS

### CEILING MOUNTING OPTIONS



### WALL MOUNTING

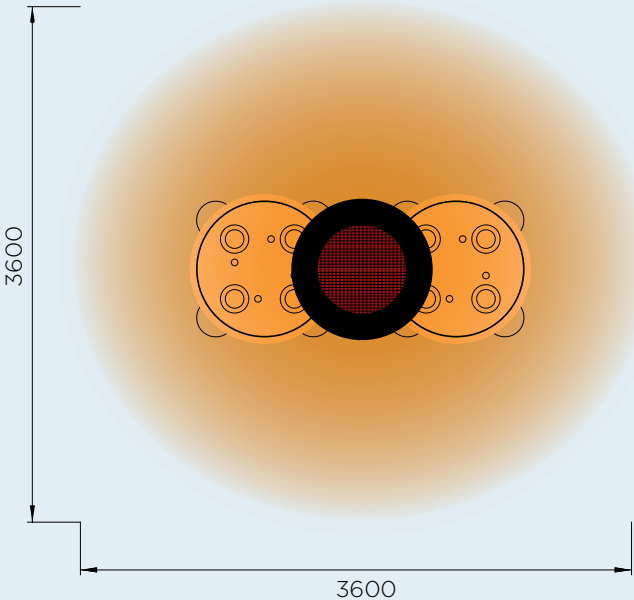


# HEATING REACH

Creating ideal comfort levels, Bromic heaters offer a variety of heat distribution options to suit your outdoor heating needs.

## HEAT AREAS

**3400W SERIES**  
HEATING APPROXIMATELY 13M<sup>2</sup>  
3400W HEATING POWER



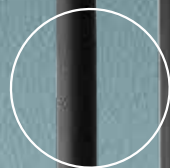
\*HEAT AREA DEPENDENT ON AMBIENT TEMPERATURE AND WIND. OPTIMUM CONDITIONS EXPERIENCED AT APPROX 15.5°C AND IN A LOW WIND COVERED ENVIRONMENT.



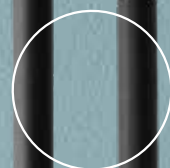


EXTEND YOUR COMFORT OUTDOORS  
WITH THE SUPERIOR HEAT AND  
AWARD-WINNING DESIGN OF OUR  
SMART-HEAT™ OUTDOOR HEATERS.

---



**FLEXIBLE MOUNTING OPTIONS**  
 Minimal vertical clearance requirements and a wide range of wall, ceiling, and free-standing options to suit any space.



**PREMIUM CONSTRUCTION**  
 Superior components, ensuring longevity of use and aesthetic appeal for years to come.

**UNIQUE DESIGN**  
 Elegantly understated design that complements any design-focused outdoor environment.



**CERAMIC SCREEN**  
 Spreads heat evenly across any area while minimising light emission from the heating element.



**PRECISE CONTROL**  
 Accurately adjust the heat output (0/33/66/100%) for complete control over the level of comfort.



**DIMMABLE LIGHT**  
 Complete flexibility over level of brightness for the right amount of ambience.



**COMPATIBLE WITH SMART-WIRELESS TECHNOLOGY**

**BROMIC.COM/HEAT**

ASIA PACIFIC | NORTH AMERICA | EUROPE

Bromic pursues a policy of continuing improvement in design and performance of its products. The right is therefore reserved to vary specifications without notice.

04.2021