



**BROMIC**<sup>®</sup>  
HEATING



# ECLIPSE SMART-HEAT™ ELECTRIC

Re-imagine the outdoors with our Eclipse Smart-Heat™ series. Available in seven unique designs, the Bromic Eclipse series adds style, warmth and light to design-focused outdoor spaces.



ECLIPSE ELECTRIC PORTABLE

600MM TWIN CEILING MOUNT POLE

600MM STRAIGHT CEILING MOUNT POLE

WALL MOUNT

ECLIPSE  
**SMART-HEAT™ ELECTRIC  
PORTABLE**



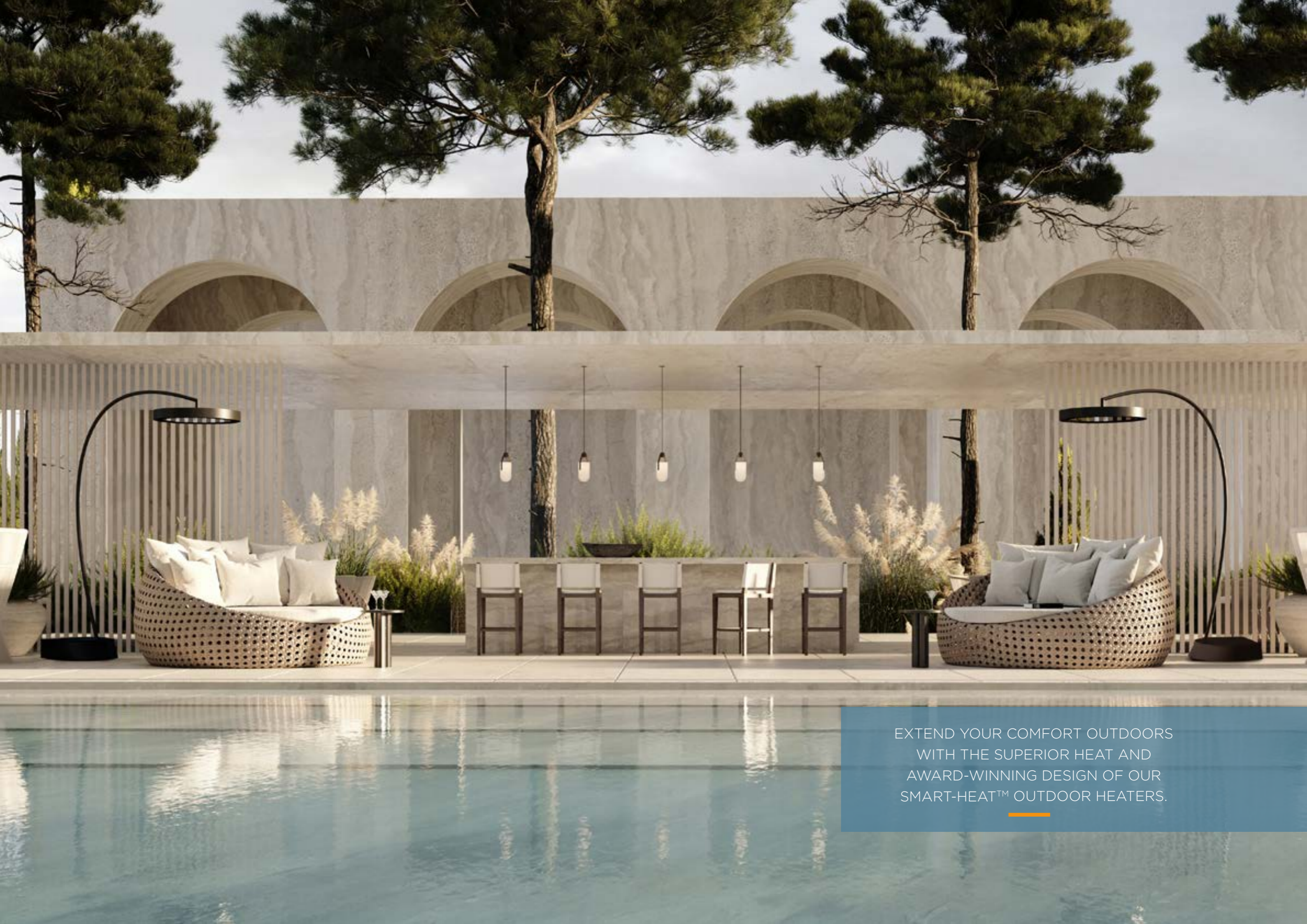
Add warmth and comfort to outdoor spaces while striking the perfect balance between ambiance, style, and functionality with our Eclipse Smart-Heat™ Electric Portable Heater.





## ECLIPSE SMART-HEAT™ ELECTRIC

Dim the lights and turn up the heat with our Eclipse Smart-Heat™ Electric heater. Available in six unique mounting options, the new Bromic Eclipse Smart-Heat™ Electric series brings comfort, light and style to commercial and residential outdoor spaces.



EXTEND YOUR COMFORT OUTDOORS  
WITH THE SUPERIOR HEAT AND  
AWARD-WINNING DESIGN OF OUR  
SMART-HEAT™ OUTDOOR HEATERS.



SEAMLESS INTEGRATION OF  
MODERN CLEAN LINES, MINIMALISTIC  
DESIGN AND QUALITY MATERIALS  
ACHIEVES INNOVATIVE STYLING AND  
TECHNICAL PERFORMANCE.

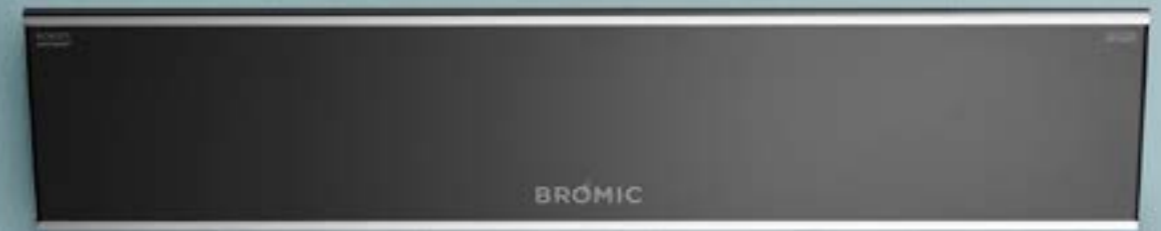
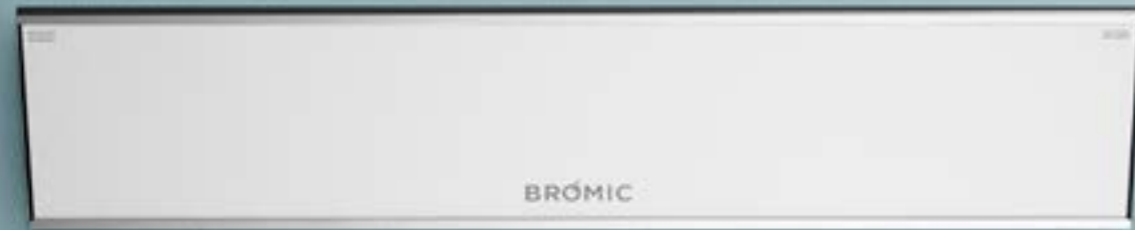
---

BRÖMIC

PLATINUM SMART-HEAT™ ELECTRIC  
WITH OPTIONAL RECESS KIT

PLATINUM  
SMART-HEAT™ ELECTRIC

---



Available in black and white, our Platinum Smart-Heat™ Electric heater is specifically suited for low-clearance and design-focused spaces. This slim-line, stainless-steel unit spreads comfort evenly, all while minimizing light emission and blending seamlessly into the background with our recess mounting solutions. The Platinum Electric range is also available in a marine-grade 316 stainless steel for extra longevity in coastal and marine environments.





PLATINUM  
SMART-HEAT™ GAS

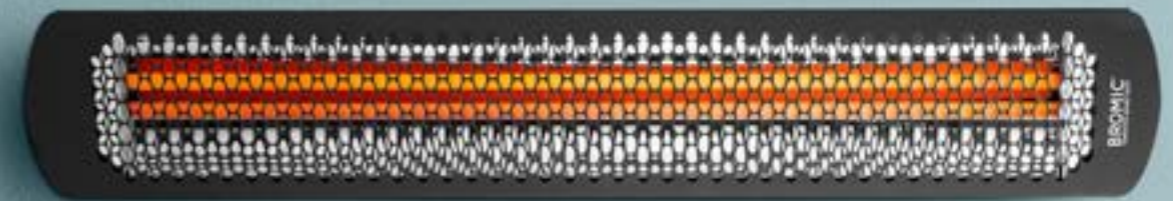
---



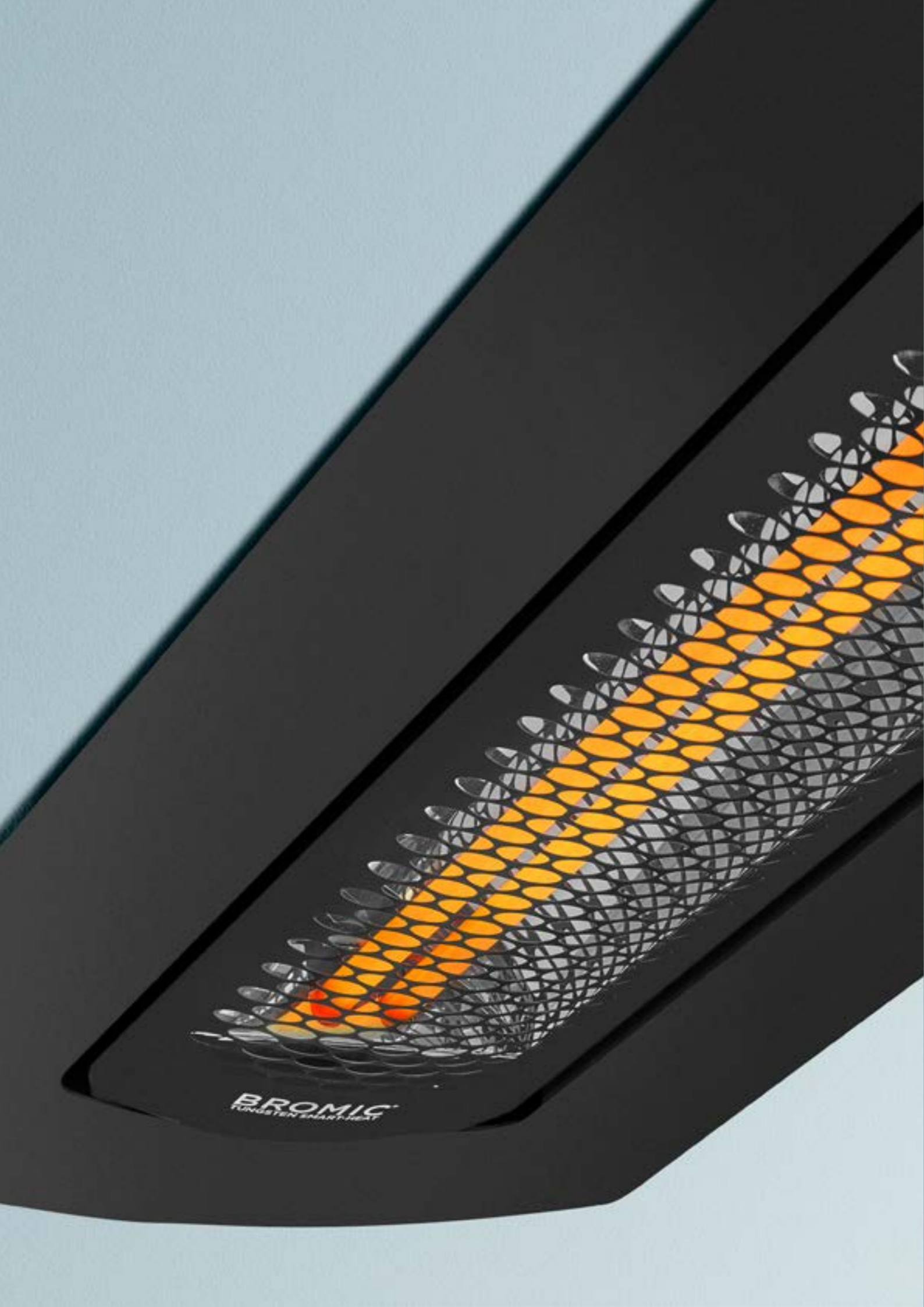
The Platinum Smart-Heat™ Gas heater series spreads heat and comfort evenly in all areas, with a soft and soothing red glow. Built with pure premium materials and designed with elegance, there is no compromise on performance, reliability and beauty.

## TUNGSTEN SMART-HEAT™ ELECTRIC

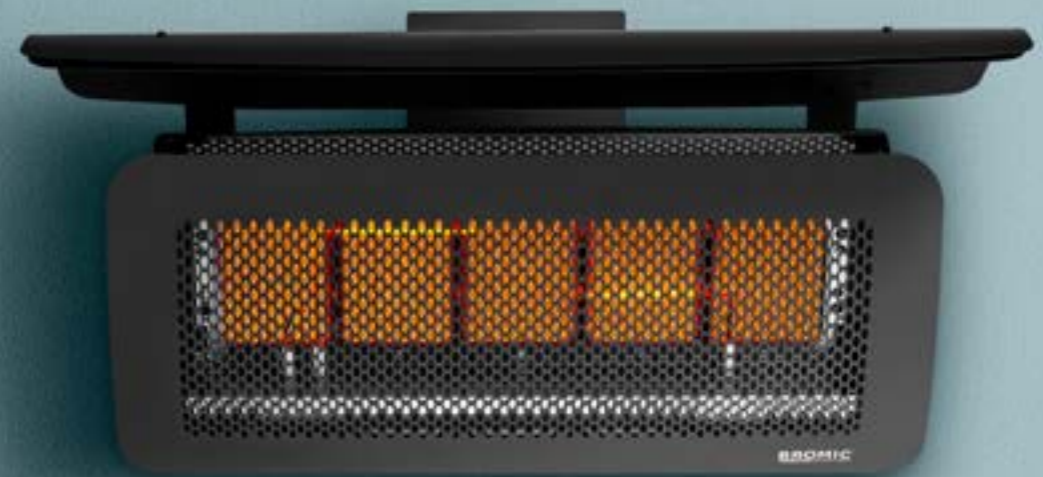
---



Our Tungsten Smart-Heat™ Electric series offers high performance radiant heating for outdoor and semi-enclosed spaces alike, with an industrial design style. It also boasts a high-temperature coating to suit all environments. With a stainless-steel construction, its durable element will emit a soft red glow to create a warm ambiance in your space.



## TUNGSTEN SMART-HEAT™ GAS



Our Tungsten Smart-Heat™ Gas heater has a durable, soft flowing curved facia and engineered body, which produces formidable heat to create a truly comfortable outdoor space. Its easy pivot arm allows for greater positioning and directional heat control. This heater also has a range of accessories available to provide versatility in mounting & controller options.



MAKE IT HAPPEN

EXTEND YOUR COMFORT OUTDOORS  
WITH THE SUPERIOR HEAT AND  
AWARD-WINNING DESIGN OF OUR  
SMART-HEAT™ OUTDOOR HEATERS.



## TUNGSTEN SMART-HEAT™ PORTABLE

---

Its neutral black finish and award-winning design make it a piece of modern art. The Tungsten Smart-Heat™ Portable heater offers efficient directional heat and is a versatile heating solution for any outdoor setting. Its modular construction with built-in wheels allows for easy maneuverability throughout tighter spaces.

# AFFINITY CONTROLS COLLECTION

## TAP INTO COMFORT

Bromic's best in class controls have arrived with our Affinity Smart-Heat™ Collection. These wifi and bluetooth enabled controllers offer more available heater channels than ever, and pair seamlessly to our state of the art app where users have complete, customizable control over their comfort.

## THE AFFINITY DIFFERENCE



- ▶ WiFi & Bluetooth pairing
- ▶ Complete control of heat output with On/Off and Dimming functionality
- ▶ Multi-heater management of unlimited connected controllers
- ▶ Create heater grouping within zones
- ▶ Timer & schedule settings
- ▶ Voice control integration with Amazon Alexa & Google Home
- ▶ Manage multiple sites from one app
- ▶ Admin control with multi-user management
- ▶ Option for Ethernet control or management system integration



**Affinity Smart-Heat On/Off Series**



**Affinity Dimmer Series**



**Affinity Eclipse Series  
(COMING SPRING 2025)**

**Features:**

- Available in 1, 2 and 5 channel output options
- Compatible with Platinum and Tungsten Collection gas or electric heaters
- Enables turning connected Bromic Heaters on or off
- Full power capacity

**Control Options:**

- Each channel input controls up to 6000W of power or ten gas heaters

**Features:**

- Available in 1 and 2 channel output options - 5 channel coming 2025
- Suitable for Bromic's Platinum and Tungsten Collection Electric heaters
- Each channel input controls up to 6000W of power

**Control Options:**

- Precise adjustment of heat output
- Adjustments down to 1% increments

**Features:**

- Available in 1 and 5 channel output options - coming Spring 2025
- Compatible with Eclipse Electric heater
- Control via the Bromic Heating app

**Control Options:**

- On/Off control over heat and incremental control over LED light for 1 channel
- Incremental control over heat and LED light for 5 channel

# ECLIPSE SMART-HEAT™ ELECTRIC PORTABLE

## MODEL

PRODUCT CODE	BH0820011-1
FUEL TYPE	ELECTRIC (3000W)
COLOR	MATTE BLACK
MATERIAL (HEATER HEAD)	PREMIUM COATED 304 STAINLESS STEEL
MATERIAL (FREESTANDING FRAME)	PREMIUM, DOUBLE COATED STEEL
HEAT AREA	11M <sup>2</sup>
LED COLOR	WARM WHITE - DIMMABLE
LED TEMPERATURE	3000K
LED LUMENS	216.6
RATED CURRENT & VOLTAGE	220-240 V - A.C. - 50-60HZ
MINIMUM FLOOR CLEARANCE	2000MM

## MOUNTING OPTIONS

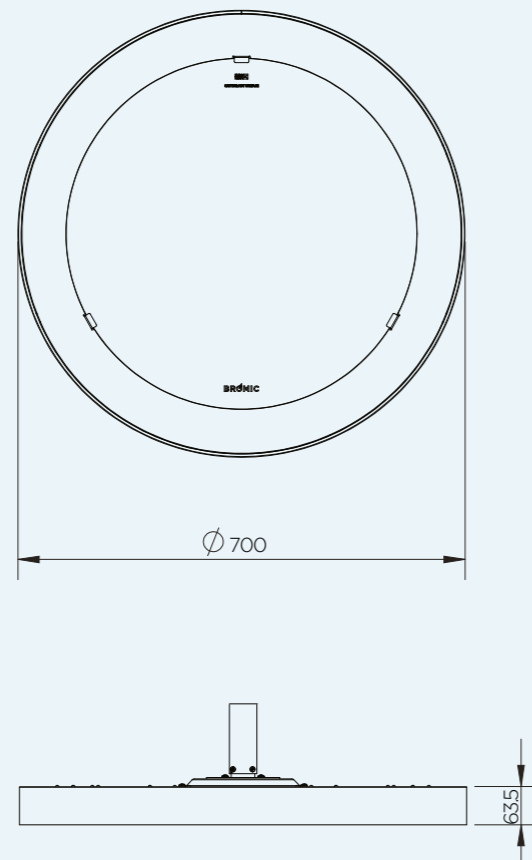
FREESTANDING	✓
--------------	---

## CONTROL OPTIONS

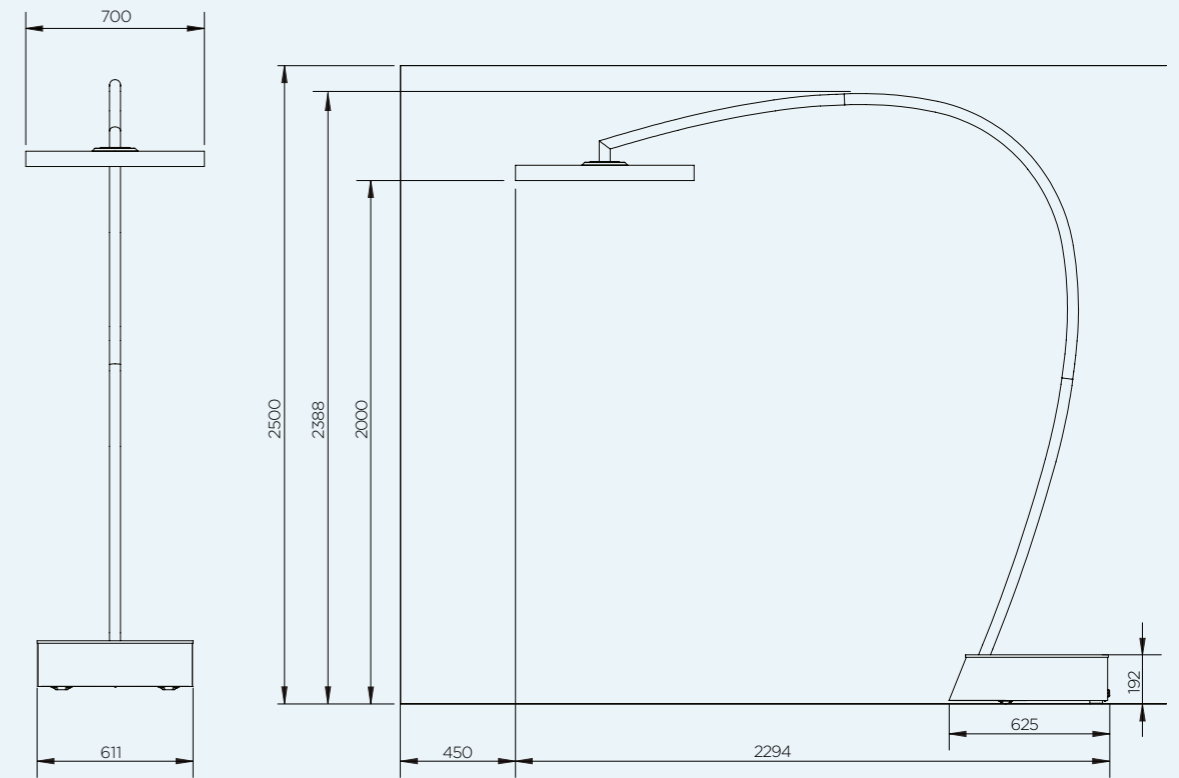
AFFINITY ECLIPSE PORTABLE CONTROLLER	✓
PRODUCT CODE	BH8380061

Measurements displayed within this catalog are minimum requirements for installation.  
Bromic takes no responsibility for incorrect or non-compliant installations.  
All measurements in this catalog are displayed in inches.

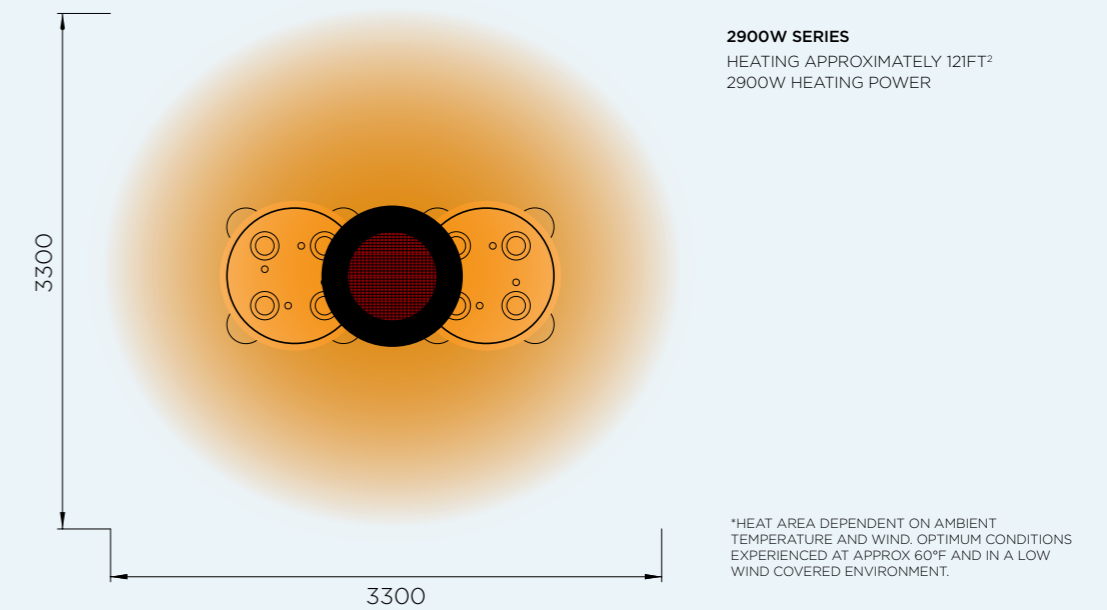
## PRODUCT MEASUREMENTS



## FREESTANDING



## HEAT AREA





# ECLIPSE SMART-HEAT™ ELECTRIC PENDANT

## MODEL

PRODUCT CODE	BH0920011-1
FUEL TYPE	ELECTRIC (3000W)
COLOR	MATTE BLACK
MATERIAL (HEATER HEAD)	PREMIUM COATED 304 STAINLESS STEEL
MATERIAL (MOUNTING ARMS)	PREMIUM, DOUBLE COATED STEEL
HEAT AREA	11M <sup>2</sup>
LED COLOR	WARM WHITE - DIMMABLE
LED TEMPERATURE	3000K
LED LUMENS	216.6
RATED CURRENT & VOLTAGE	220-240 V - A.C. 50-60 HZ
MINIMUM FLOOR CLEARANCE	CEILING 2438MM   WALL 2438MM

## MOUNTING OPTIONS

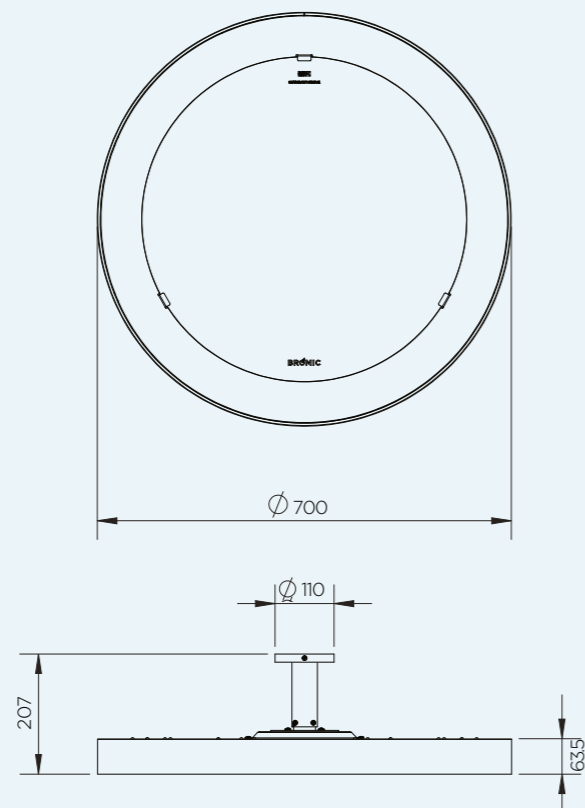
WALL MOUNT	BH3230016 (OPTIONAL)
8" STRAIGHT CEILING MOUNT POLE	BH3230011 (OPTIONAL)
24" STRAIGHT CEILING MOUNT POLE	BH3230012 (OPTIONAL)
24" TWIN STRAIGHT CEILING MOUNT POLE	INCLUDED
24" CURVED CEILING MOUNT POLE	BH3230014 (OPTIONAL)
48" STRAIGHT CEILING MOUNT POLE	BH3230015 (OPTIONAL)

## CONTROL OPTIONS

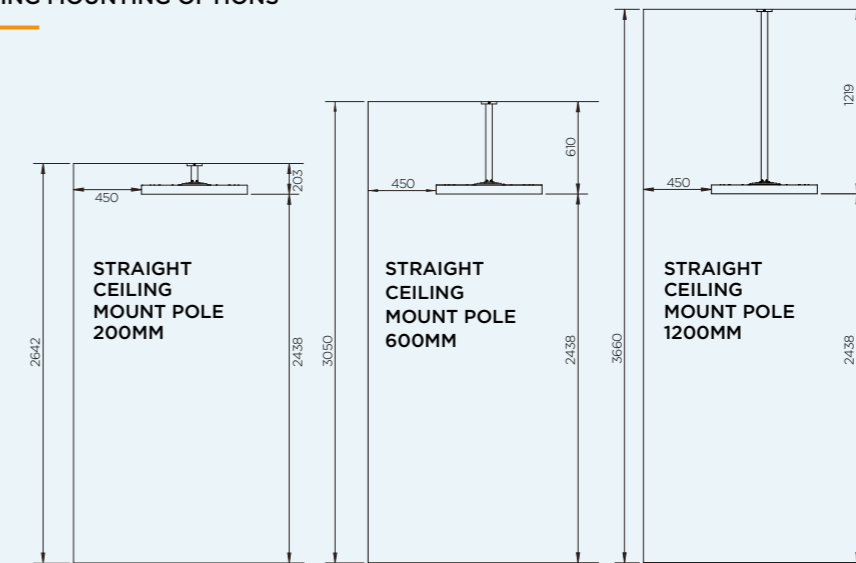
	1 CHANNEL	5 CHANNEL
AFFINITY ECLIPSE CONTROLLER	✓	✓
PRODUCT CODE	BH8380051	BH8380055

Measurements displayed within this catalog are minimum requirements for installation.  
Bromic takes no responsibility for incorrect or non-compliant installations.  
All measurements in this catalog are displayed in inches.

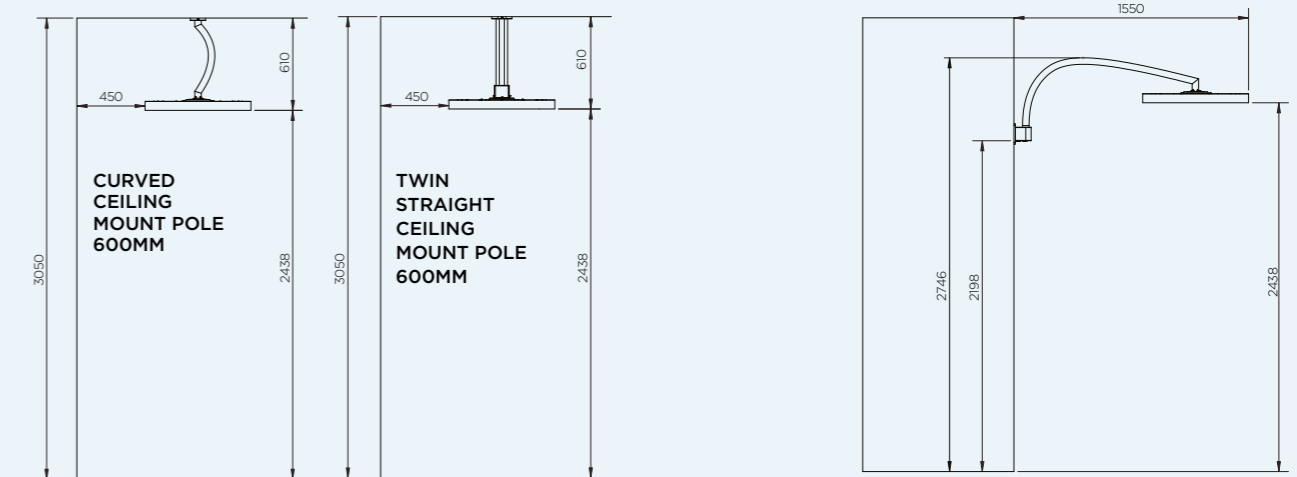
## PRODUCT MEASUREMENTS



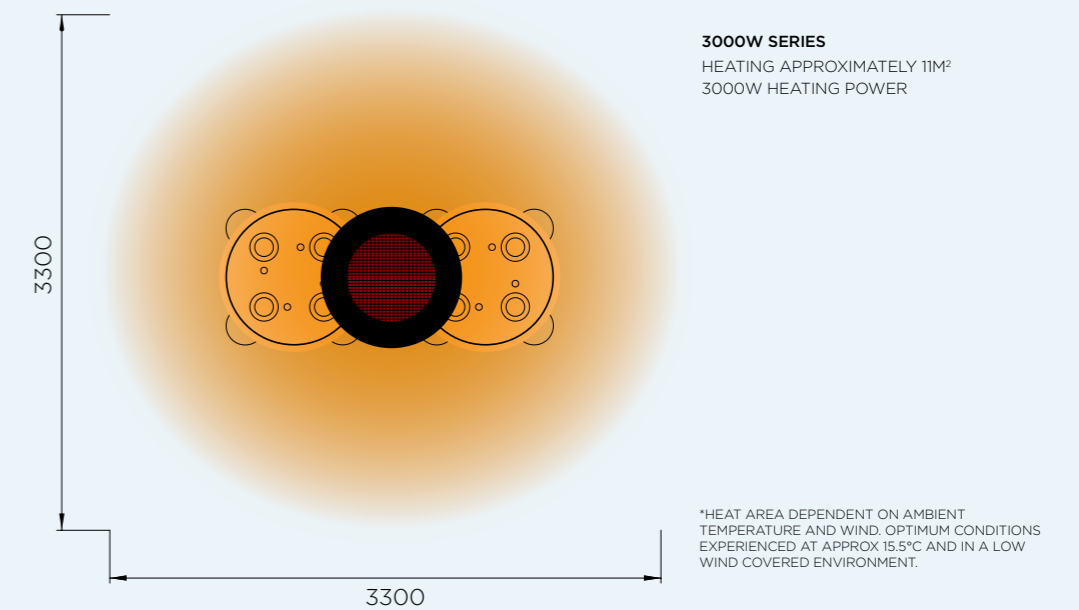
## CEILING MOUNTING OPTIONS



## WALL MOUNTING



## HEAT AREA



# PLATINUM SMART-HEAT™ GAS

MODEL NUMBER	300 SERIES	500 SERIES
PRODUCT CODE	VARIOUS	VARIOUS
FUEL TYPE	LPG   NG	LPG   NG
COLOR	BLACK   STAINLESS	BLACK   STAINLESS
HEAT AREA	12M <sup>2</sup>	20M <sup>2</sup>
RATED CURRENT	220-240 V A.C.	220-240 V A.C.
OUTPUT	25MJ	42MJ
MINIMUM FLOOR CLEARANCE	2500MM	2500MM

## MOUNTING OPTIONS

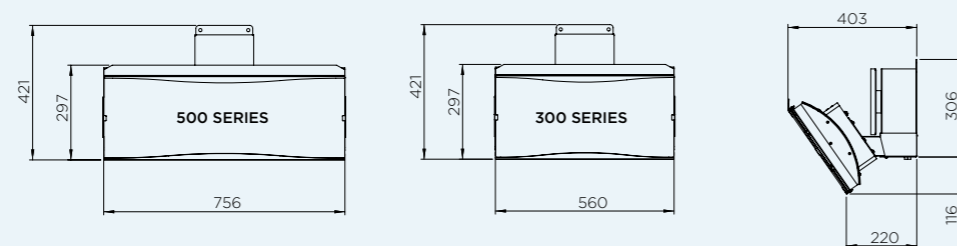
CEILING MOUNT	✓	✓
WALL MOUNT	✓	✓
RECESSED   FLUSH MOUNT	-	-
CEILING POLE MOUNT	✓	✓
FREESTANDING	-	-

## CONTROL OPTIONS

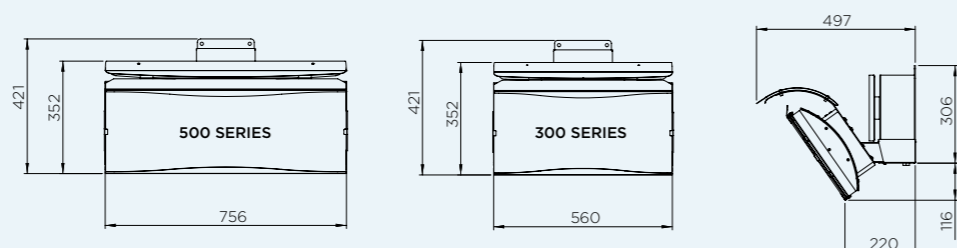
	1 CHANNEL	2 CHANNEL	5 CHANNEL
AFFINITY ON/OFF CONTROLLER	✓	✓	✓
PRODUCT CODE	BH3130051	BH3130052	BH3130053

Measurements displayed within this catalog are minimum requirements for installation.  
Bromic takes no responsibility for incorrect or non-compliant installations.  
All measurements in this catalog are displayed in inches.

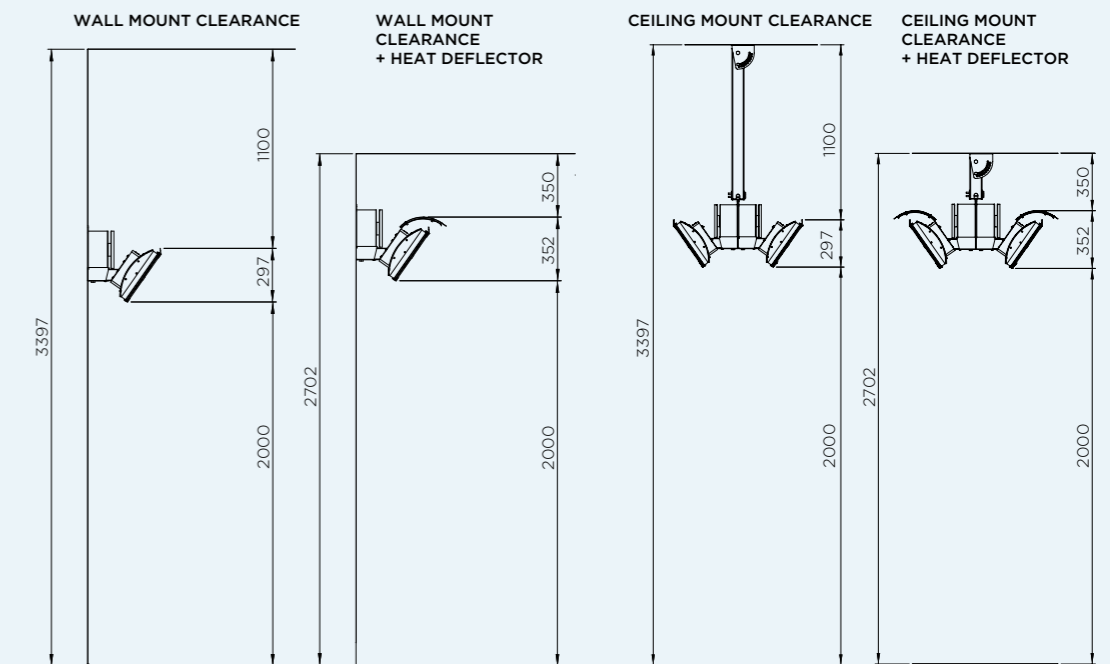
## PRODUCT MEASUREMENTS



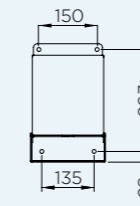
## PRODUCT MEASUREMENTS WITH HEAT DEFLECTOR



## CEILING & WALL MOUNT CLEARANCE

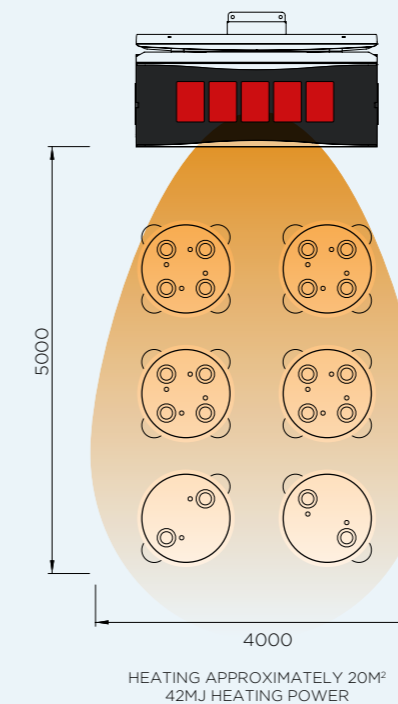


## WALL BRACKET

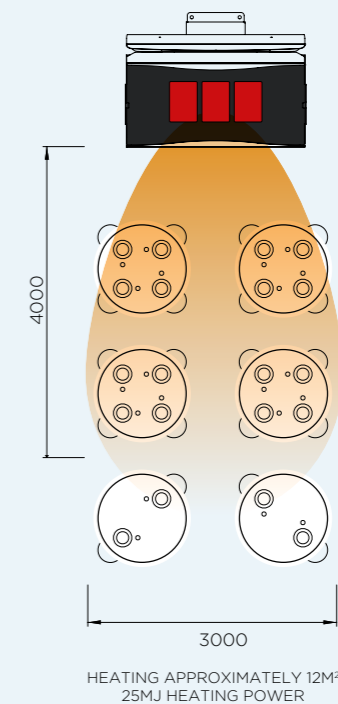


## HEAT AREA

### 500 SERIES



### 300 SERIES



\*HEAT AREA DEPENDENT ON AMBIENT TEMPERATURE AND WIND. OPTIMUM CONDITIONS EXPERIENCED AT APPROX 15.5°C AND IN A LOW WIND COVERED ENVIRONMENT.

# PLATINUM SMART-HEAT™ ELECTRIC

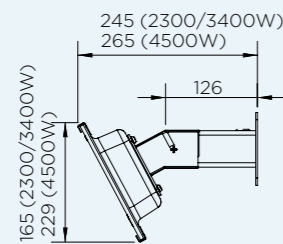
MODEL NUMBER	2300W SERIES	3400W SERIES	4500W SERIES
PRODUCT CODES PLATINUM ELECTRIC	BH0320004   BH0320009	BH0320006   BH0320010	BH3622000   BH3622001
PRODUCT CODES PLATINUM ELECTRIC MARINE	BH0320011   BH0320013	BH0320012   BH0320014	BH3622002   BH3622003
FUEL TYPE	ELECTRIC	ELECTRIC	ELECTRIC
COLOR	BLACK   WHITE	BLACK   WHITE	BLACK   WHITE
HEAT AREA	6M <sup>2</sup>	10M <sup>2</sup>	12M <sup>2</sup>
RATED CURRENT	220 - 240V/9.6A	220 - 240V/14.2A	220 - 240V/18.8A
MINIMUM FLOOR CLEARANCE	WALL 1800MM   CEILING 2400MM	WALL 1800MM   CEILING 2400MM	WALL 1800MM   CEILING 2400MM

MOUNTING OPTIONS			
CEILING MOUNT	INCLUDED	INCLUDED	INCLUDED
WALL MOUNT	INCLUDED	INCLUDED	INCLUDED
RECESS KIT   FLUSH MOUNT	✓	✓	✓
CEILING RECESS KIT PRODUCT CODES	BH3130017	BH3130027	BH3623000
NEW RECESS KIT   LOW CLEARANCE	✓	✓	✓
LOW CLEARANCE RECESS KIT PRODUCT CODES	BH3623009	BH3623008	BH3623012
CEILING POLE EXTENSION	✓	✓	✓
CEILING POLE (2') PRODUCT CODE	BH3130023-1	BH3130023-1	BH3623020
CEILING POLE (4') PRODUCT CODE	BH3130024-1	BH3130024-1	BH3623021
FREESTANDING	-	-	-

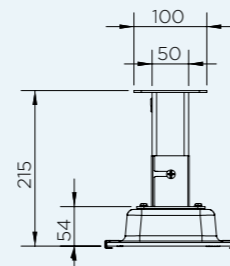
CONTROL OPTIONS	1 CHANNEL	2 CHANNEL	5 CHANNEL
AFFINITY ON/OFF CONTROLLER	✓	✓	✓
PRODUCT CODE	BH3130051	BH3130052	BH3130053
AFFINITY DIMMER CONTROLLER	✓	✓	✓
PRODUCT CODE	BH3130061	BH3130062	BH3130063

Measurements displayed within this document are for reference only, for complete requirements see the installation/user manual. Bromic takes no responsibility for incorrect or non-compliant installations. All measurement in this document are displayed in inches.

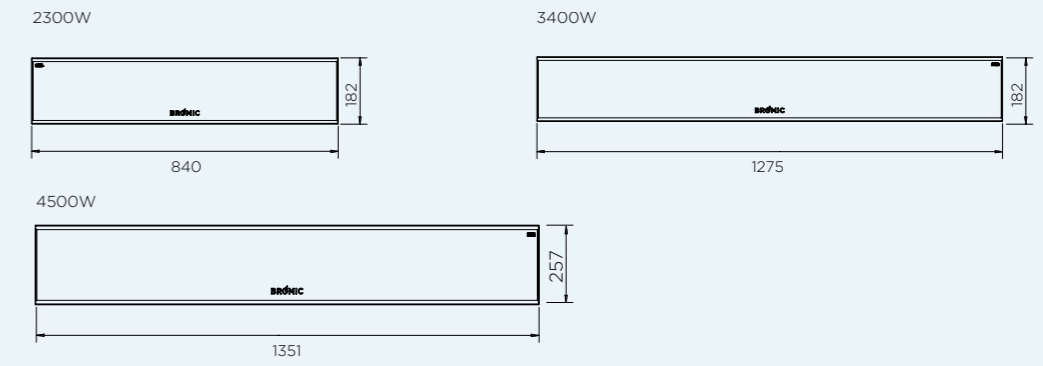
## WALL BRACKET (INCLUDED)



## CEILING BRACKET (INCLUDED)

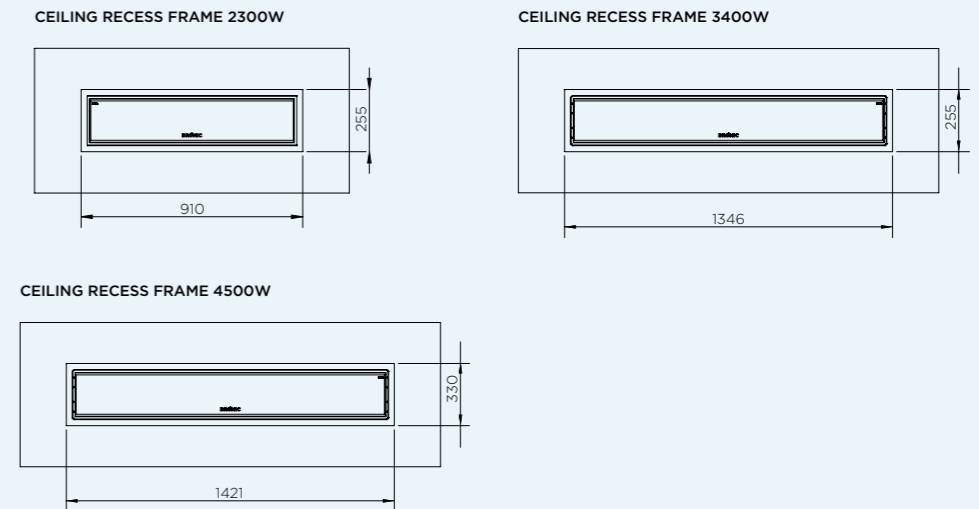


## PRODUCT MEASUREMENTS



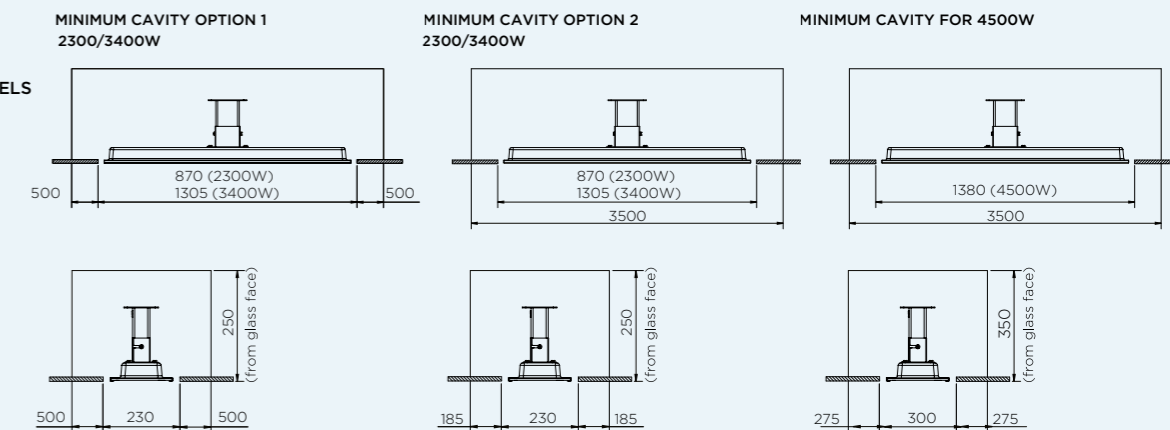
## CEILING RECESS KIT

(OPTIONAL)

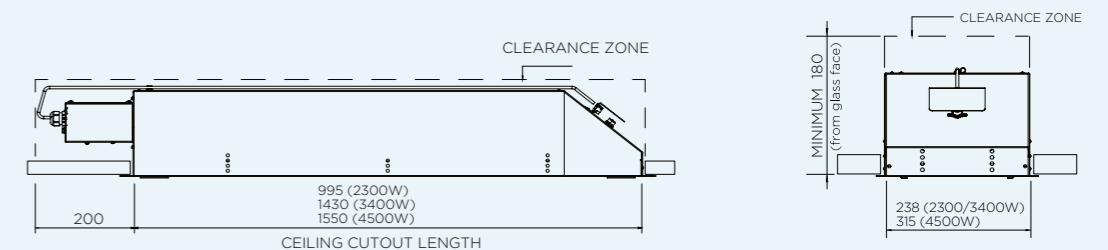


## CEILING CAVITY GUIDE

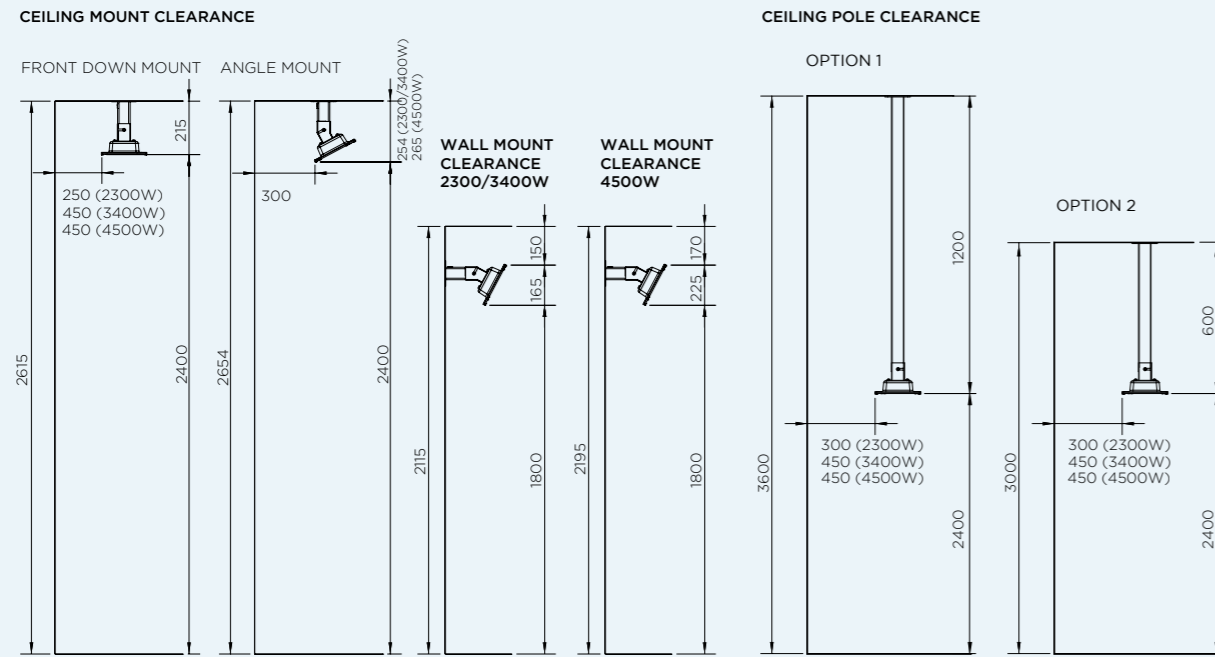
MINIMUM CAVITY SIZE FOR 2300W, 3400W & 4500W MODELS



CEILING CUTOUT & CLEARANCE ZONES FOR 2300/3400/4500W

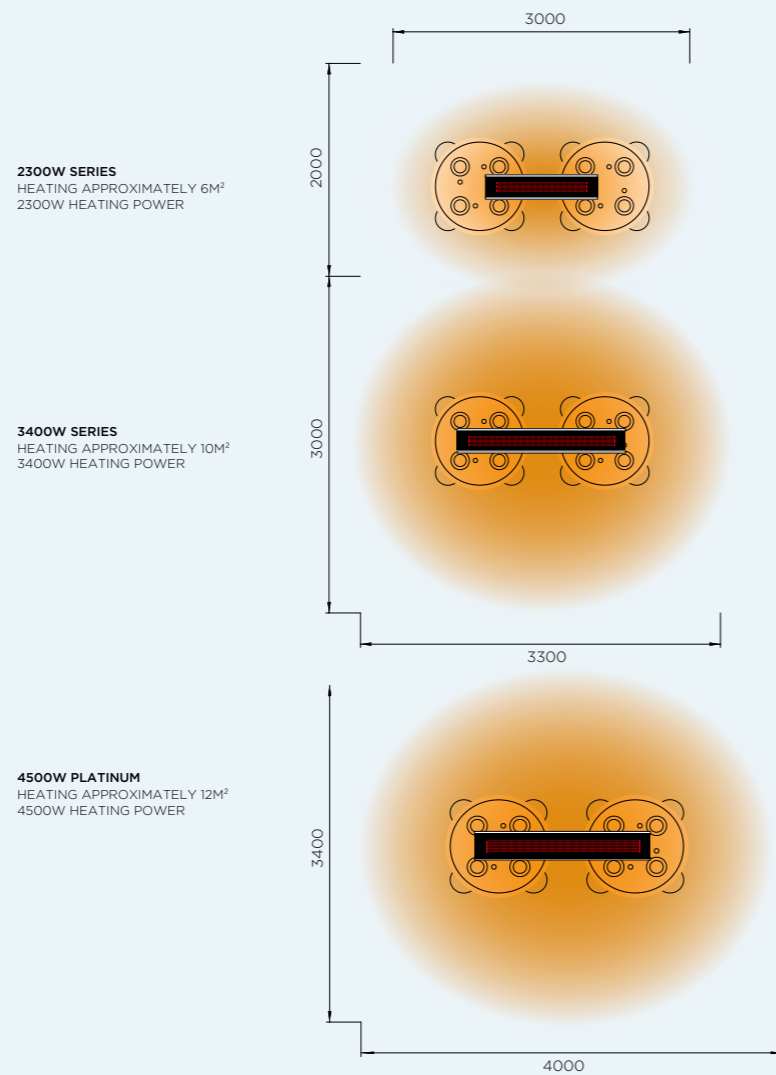


## CEILING & WALL MOUNT CLEARANCE



## HEAT AREA

\*HEAT AREA DEPENDENT ON AMBIENT TEMPERATURE AND WIND. OPTIMUM CONDITIONS EXPERIENCED AT APPROX 15.5°C AND IN A LOW WIND COVERED ENVIRONMENT.



EXTEND YOUR COMFORT OUTDOORS WITH THE SUPERIOR HEAT AND AWARD-WINNING DESIGN OF OUR SMART-HEAT™ OUTDOOR HEATERS.



2300W, 3400W & 4500W LC RECESS KIT SERIES  
 BLACK | WHITE



# TUNGSTEN SMART-HEAT™ GAS

MODEL NUMBER	300 SERIES	500 SERIES
PRODUCT CODE	VARIOUS	VARIOUS
FUEL TYPE	LPG   NG	LPG   NG
COLOR	BLACK	BLACK
HEAT AREA	12M <sup>2</sup>	20M <sup>2</sup>
ELECTRICAL CONNECTION	220-240 V A.C.	220-240 V A.C.
OUTPUT	25MJ	42MJ
MINIMUM FLOOR CLEARANCE	2500MM	2500MM

## MOUNTING OPTIONS

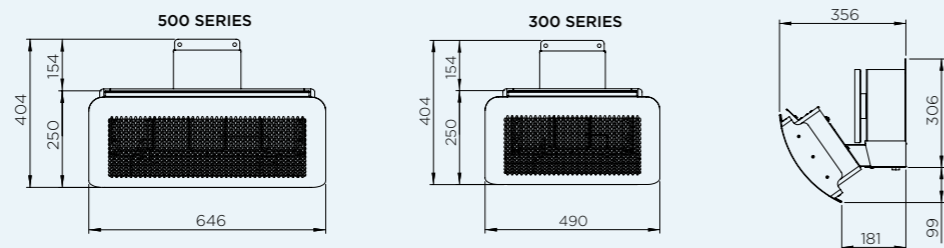
MOUNTING OPTION	300 SERIES	500 SERIES
CEILING MOUN	✓	✓
WALL MOUNT	✓	✓
RECESSED   FLUSH MOUNT	-	-
CEILING POLE MOUNT	✓	✓
FREESTANDING	-	-

## CONTROL OPTIONS

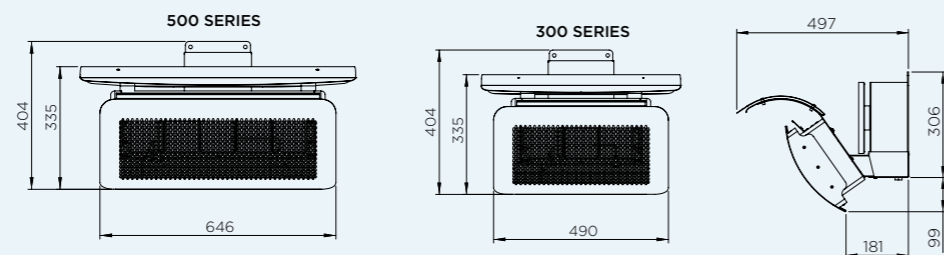
CONTROL OPTION	1 CHANNEL	2 CHANNEL	5 CHANNEL
AFFINITY ON/OFF CONTROLLER	✓	✓	✓
PRODUCT CODE	BH3130051	BH3130052	BH3130053

Measurements displayed within this catalog are minimum requirements for installation. Bromic takes no responsibility for incorrect or non-compliant installations. All measurements in this catalog are displayed in inches.

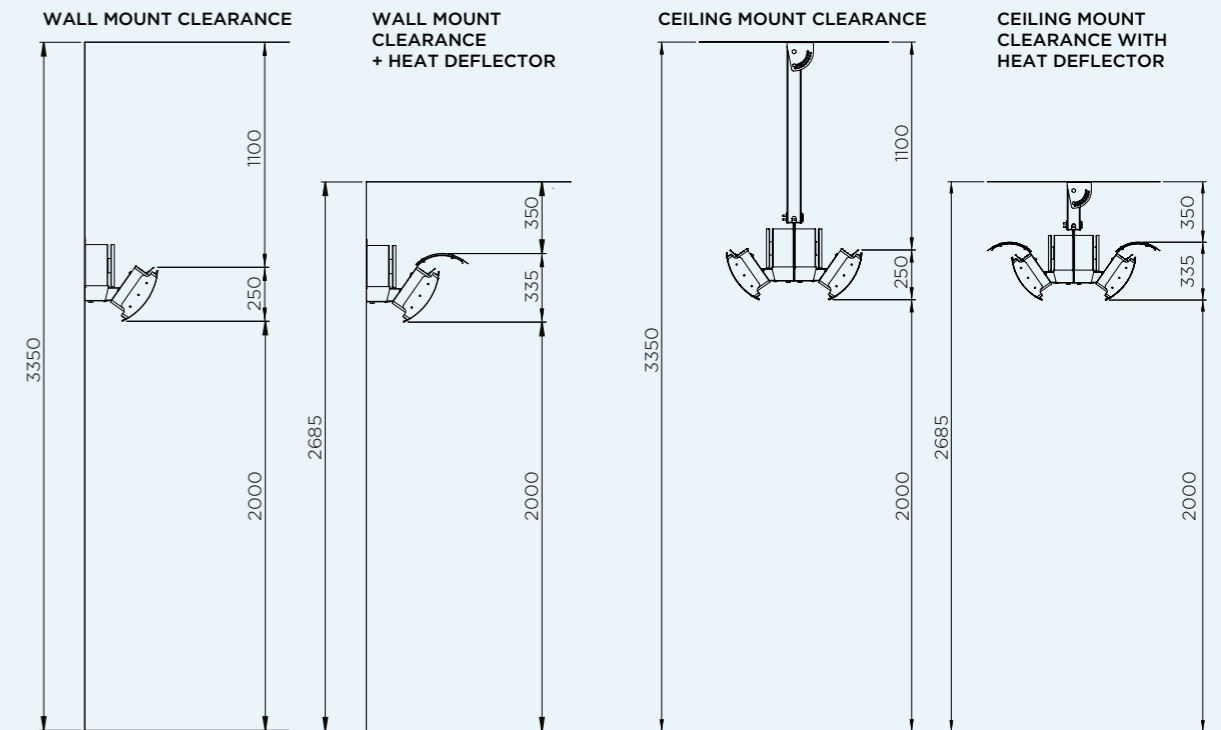
## PRODUCT MEASUREMENTS



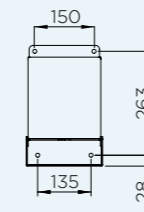
## PRODUCT MEASUREMENTS WITH HEAT DEFLECTOR



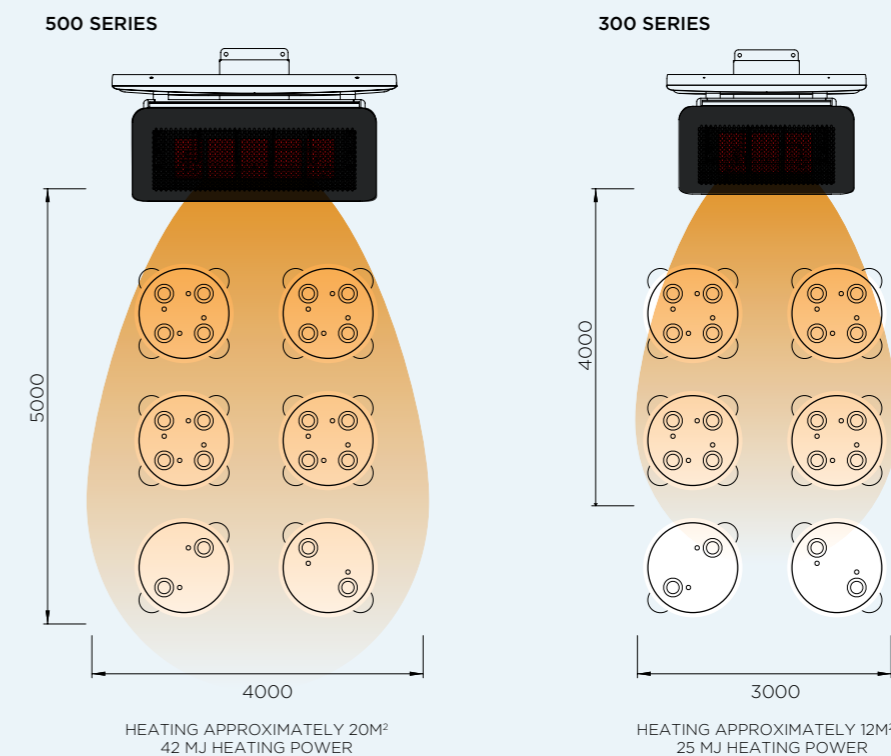
## CEILING & WALL MOUNT CLEARANCE



## WALL BRACKET



## HEAT AREA



\*HEAT AREA DEPENDENT ON AMBIENT TEMPERATURE AND WIND. OPTIMUM CONDITIONS EXPERIENCED AT APPROX 15.5°C AND IN A LOW WIND COVERED ENVIRONMENT.

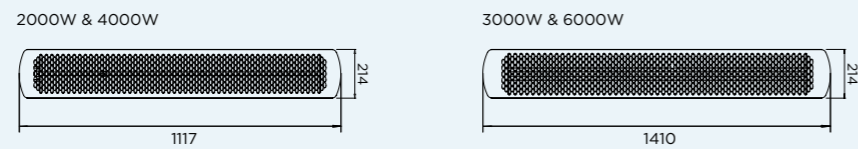
# TUNGSTEN SMART-HEAT™ ELECTRIC

MODEL NUMBER	2000 SERIES	3000 SERIES	4000 SERIES	6000 SERIES
PRODUCT CODE	BH0420022-1 BH0420026-1	BH0420023-1 BH0420027-1	BH0420024-1 BH0420028-1	BH0420025-1 BH0420029-1
FUEL TYPE	ELECTRIC	ELECTRIC	ELECTRIC	ELECTRIC
COLOR	BLACK   WHITE	BLACK   WHITE	BLACK   WHITE	BLACK   WHITE
HEAT AREA	6M <sup>2</sup>	9M <sup>2</sup>	11M <sup>2</sup>	13M <sup>2</sup>
RATED CURRENT *	220 - 240V/8.3A	220 - 240V/12.5A	220 - 240V/16.6A	220 - 240V/25A
MINIMUM FLOOR CLEARANCE	WALL 1800MM   CEILING 2400MM		WALL 1800MM   CEILING 2400MM	
<b>MOUNTING OPTIONS</b>				
CEILING MOUNT	✓	✓	✓	✓
CEILING RECESS KIT PRODUCT CODES	BH8180010	BH8180011	BH8180010	BH8180011
WALL MOUNT	✓	✓	✓	✓
RECESSED   FLUSH MOUNT	✓	✓	✓	✓
CEILING POLE MOUNT	✓	✓	✓	✓
TUBE SUSPENSION KIT PRODUCT CODE	BH8180012			
FREESTANDING	-	-	-	-

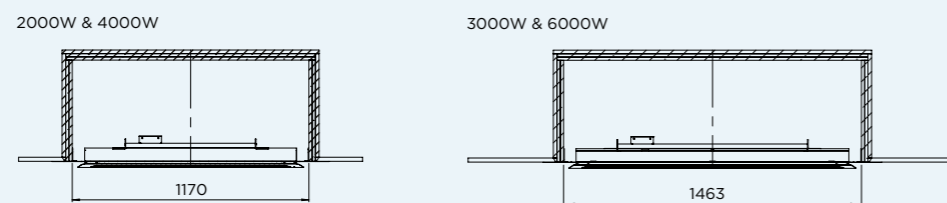
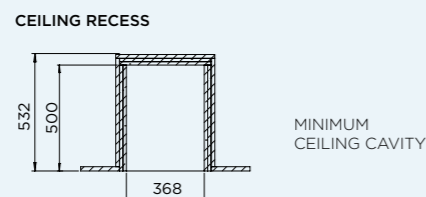
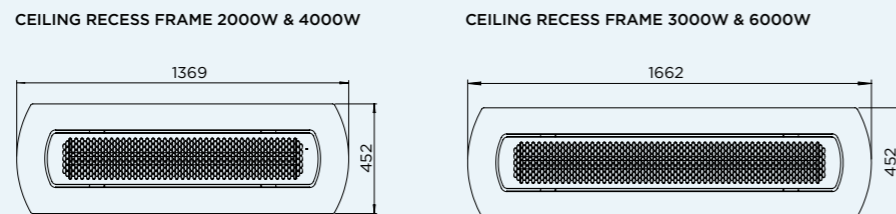
CONTROL OPTIONS	1 CHANNEL	2 CHANNEL	5 CHANNEL
AFFINITY ON/OFF CONTROLLER	✓	✓	✓
PRODUCT CODE	BH3130051	BH3130052	BH3130053
AFFINITY DIMMER CONTROLLER	✓	✓	✓
PRODUCT CODE	BH3130061	BH3130062	BH3130063

Measurements displayed within this catalog are minimum requirements for installation. Bromic takes no responsibility for incorrect or non-compliant installations. All measurements in this catalog are displayed in inches.  
 \* Available in varying voltages: 240V, 208V and 277V

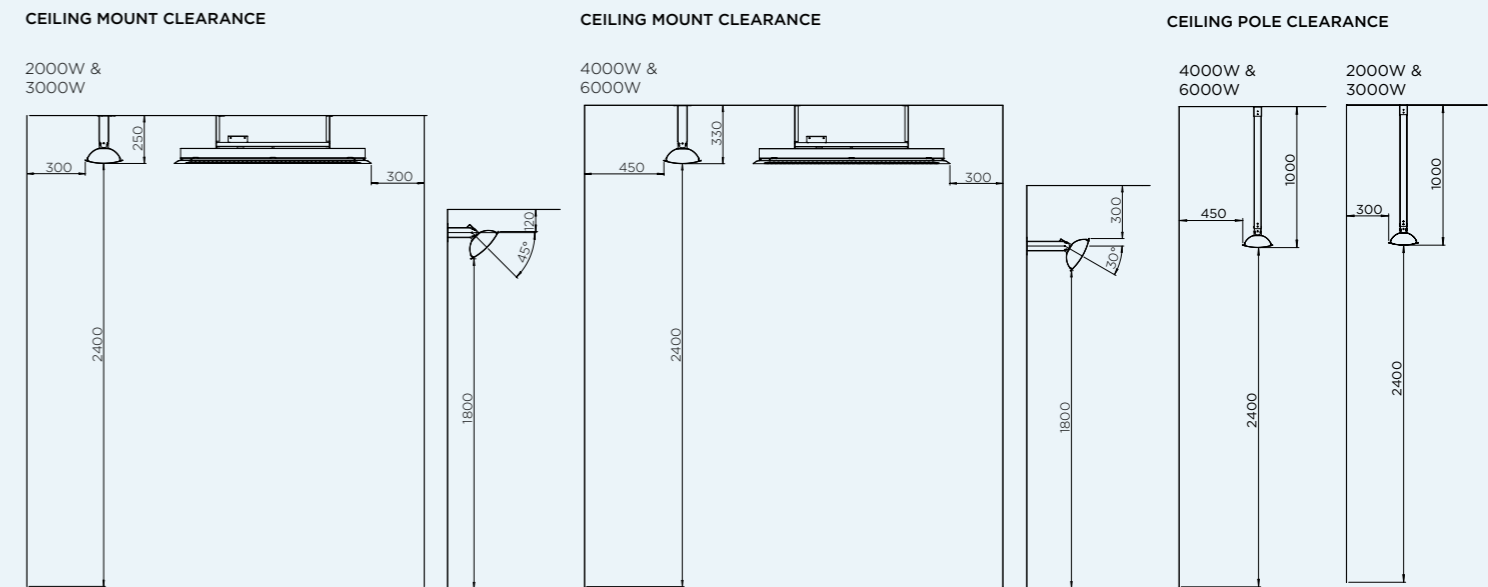
## PRODUCT MEASUREMENTS



## CEILING RECESS



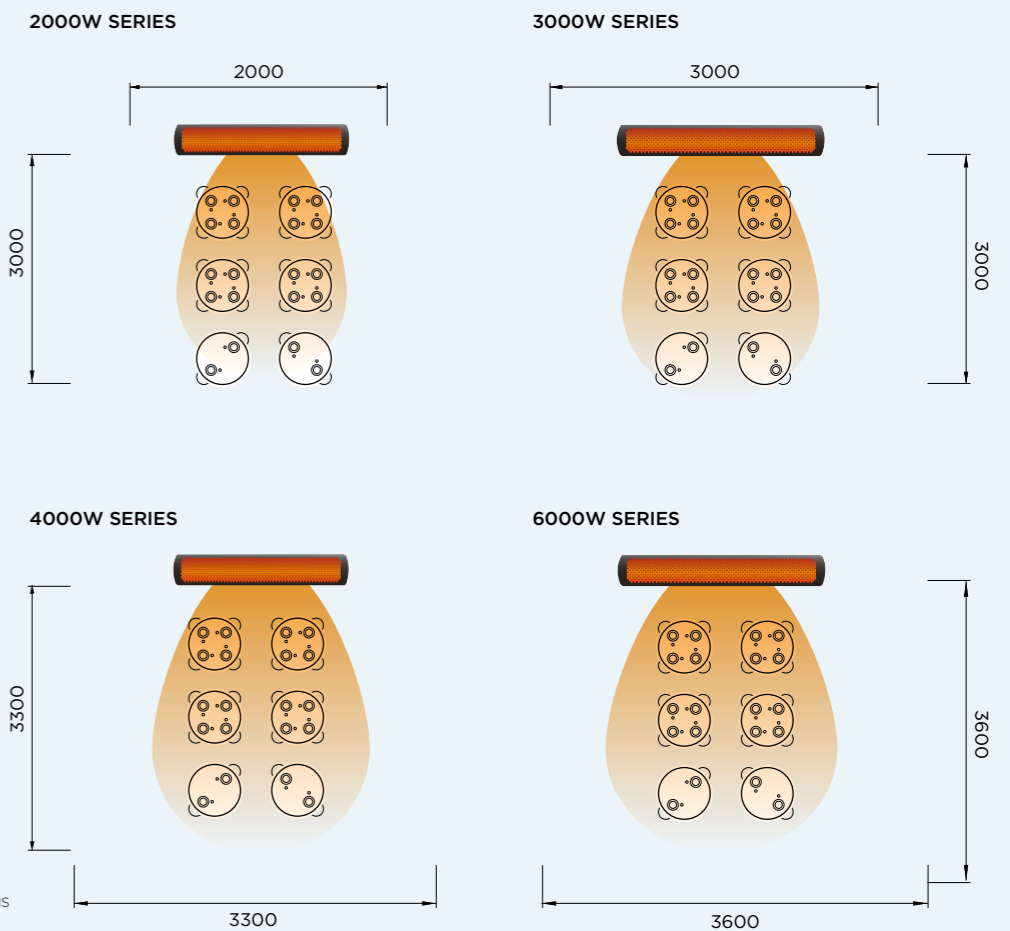
## CEILING & WALL MOUNT CLEARANCE



## WALL BRACKET (INCLUDED)



## HEAT AREA



\*HEAT AREA DEPENDENT ON AMBIENT TEMPERATURE AND WIND. OPTIMUM CONDITIONS EXPERIENCED AT APPROX 15.5°C AND IN A LOW WIND COVERED ENVIRONMENT.

# TUNGSTEN SMART-HEAT™ PORTABLE

## MODEL NUMBER

PRODUCT CODE	BH051000X
FUEL TYPE	LPG
COLOR	BLACK
HEAT AREA	20M <sup>2</sup>
RATED CURRENT	-
OUTPUT	40MJ
MINIMUM CEILING CLEARANCE	1000MM

## MOUNTING OPTIONS

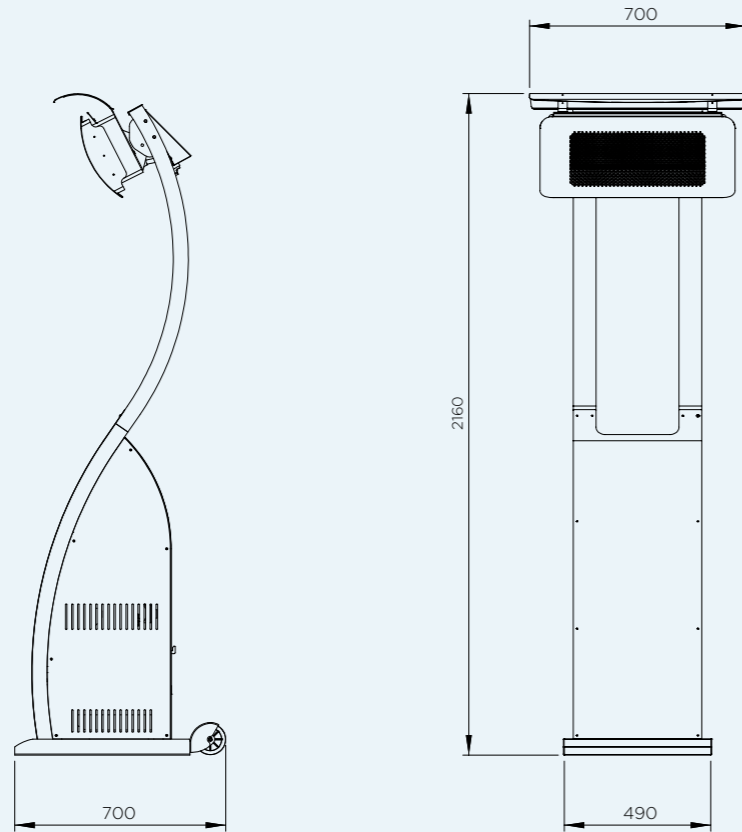
CEILING MOUNT	-
WALL MOUNT	-
RECESSED   FLUSH MOUNT	-
CEILING POLE MOUNT	-
FREESTANDING	✓

## ADDITIONAL OPTIONS

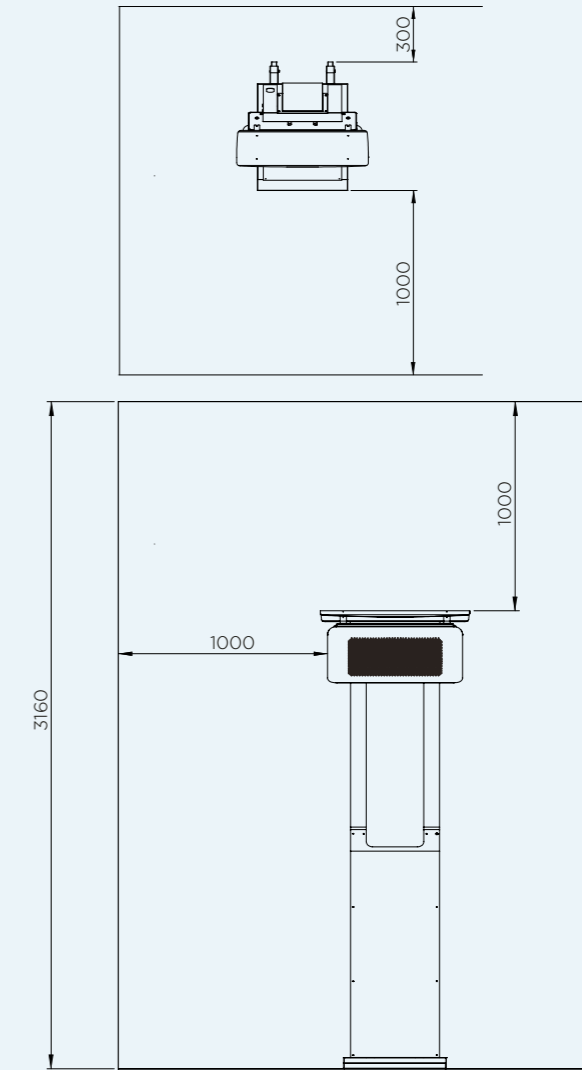
HEATER COVER PRODUCT CODE	BH3030010
---------------------------	-----------

Measurements displayed within this catalog are minimum requirements for installation.  
Bromic takes no responsibility for incorrect or non-compliant installations.  
All measurements in this catalog are displayed in inches.

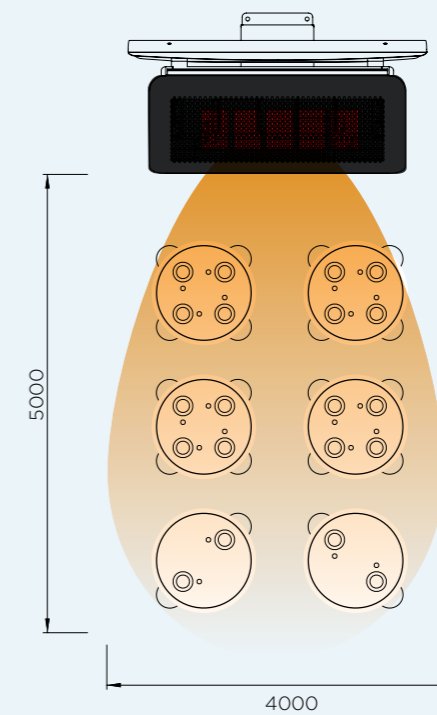
## PRODUCT MEASUREMENTS



## CEILING & WALL CLEARANCE

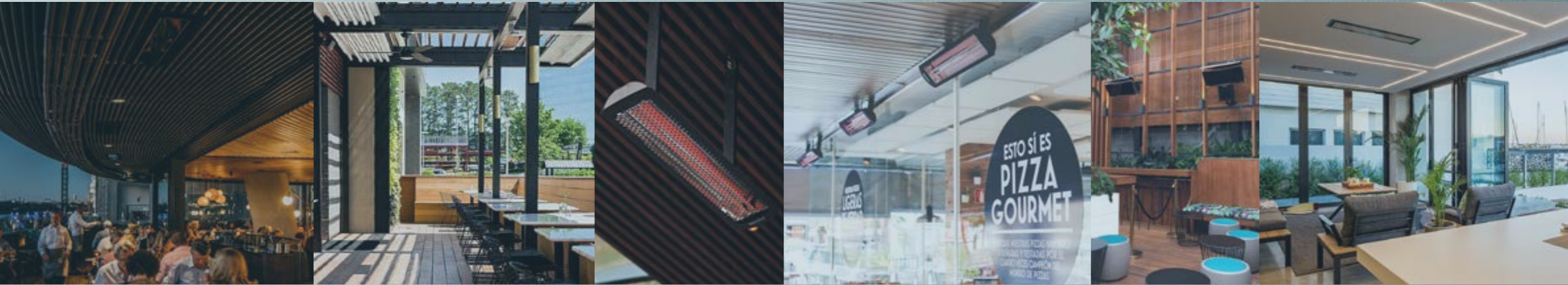


## HEAT AREA



**TUNGSTEN PORTABLE**  
HEATING APPROXIMATELY 20 M<sup>2</sup>  
40MJ HEATING POWER

\*HEAT AREA DEPENDENT ON AMBIENT TEMPERATURE AND WIND. OPTIMUM CONDITIONS EXPERIENCED AT APPROX 15.5°C AND IN A LOW WIND COVERED ENVIRONMENT.



## DESIGN SERVICE

---

As part of our complimentary service, Bromic Heating Specialists will custom design and tailor a solution to best heat your outdoor living and entertainment spaces.

Learn more about our design service  
[bromic.co.uk](http://bromic.co.uk)





## ABOUT BROMIC GROUP

---

Bromic's reputation for industry and innovation reaches back to 1978. Initially a supplier of gas components, Bromic has since grown to become an international leader that designs, manufactures and distributes a diverse range of quality, engineered products on a global scale.



[BROMIC.COM](https://www.bromic.com)

[NORTH AMERICA](#) | [ASIA PACIFIC](#) | [EUROPE](#)

UK\_08/2023