

TUNGSTEN SMART-HEAT™ PORTABLE

It's neutral black finish, and award-winning design makes it a piece of modern art. The Tungsten Smart-Heat™ Portable heater offers efficient directional heat and a versatile heating solution for the outdoor settings. It's modular construction with built-in wheels allows for easily manoeuvrability throughout tighter spaces.

ANGLED BRACKET

Provides flexibility of heat direction

ADJUSTABLE HEAT CONTROLS

Offers ease of operation and precise heat comfort levels

SAFETY FEATURE

Anti tilt shut off

CONTOURED DESIGN

Allows for superior wind resistance

MODULAR CONSTRUCTION

For simple storage

PORTABLE

For ease of movement

SPECIFICATIONS

Reference the specification guide below to help you select the correct solution for your needs.

MODEL NUMBER

FUEL TYPE	LPG
COLOUR	BLACK
HEAT AREA	20M ²
MINIMUM FLOOR CLEARANCE	1000MM
OUTPUT	40MJ

MOUNTING OPTIONS

CEILING MOUNT	-
WALL MOUNT	-
RECESSED FLUSH MOUNT	-
CEILING POLE MOUNT	-
FREESTANDING	✓

CONTROL OPTIONS

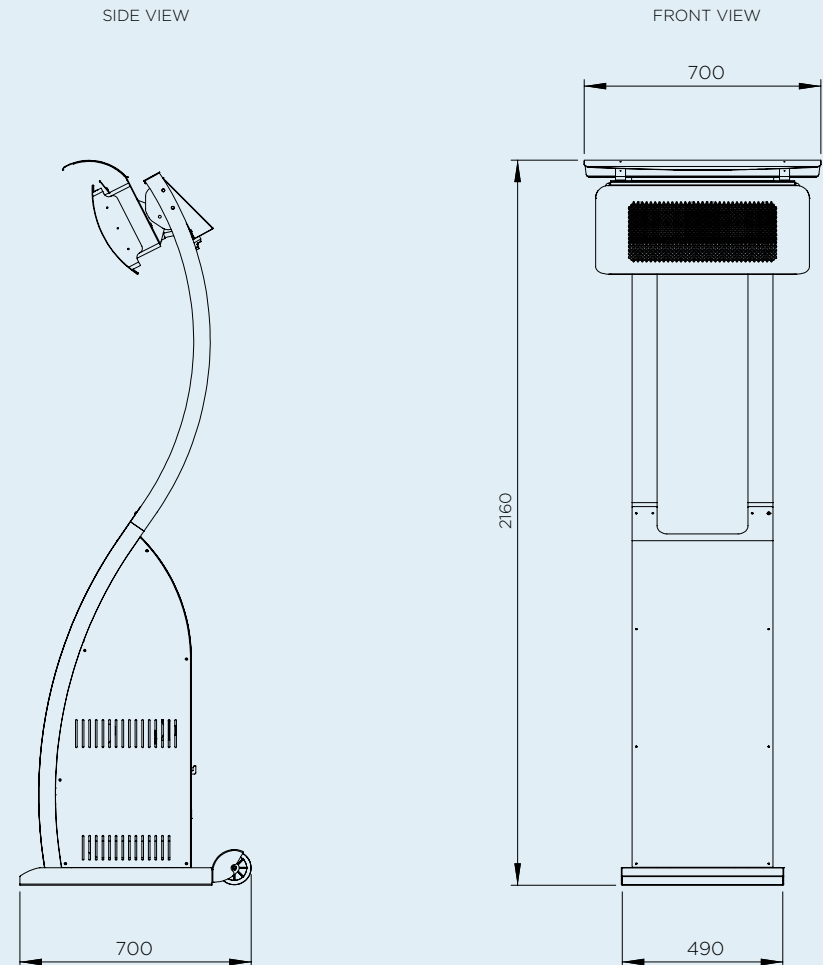
ON OFF	-
DIMMER	-
MASTER REMOTE	-

Measurements displayed within this document are minimum requirements for installation. Bromic takes no responsibility for incorrect or non-compliant installations. All measurement in this document are displayed in mm.

DIMENSIONS

With a wide range of sizes available, find the ideal heater to suit your outdoor space.

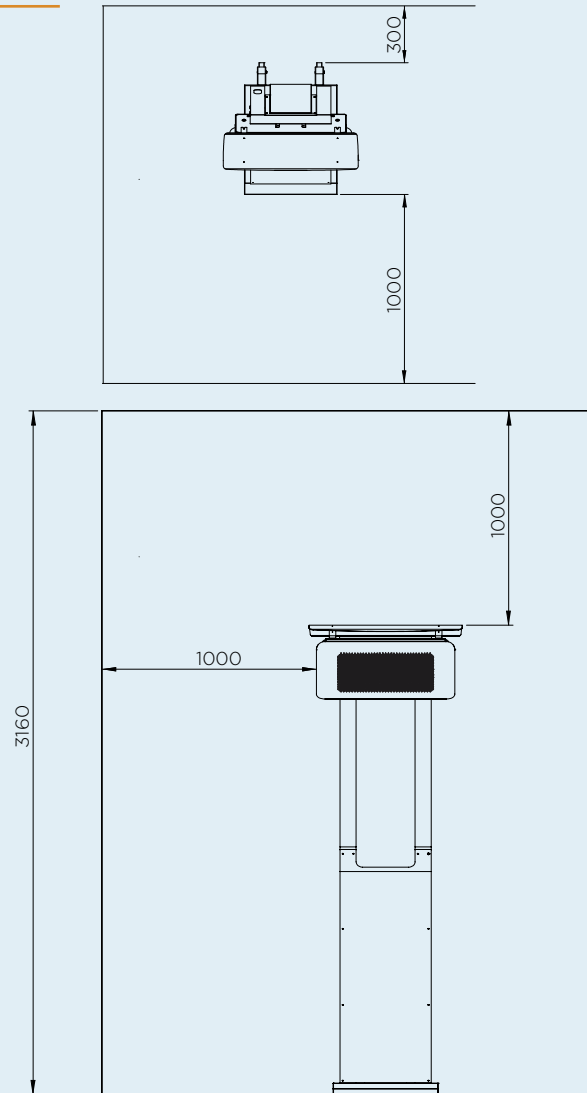
PROFILE



CLEARANCE

With a wide array of mounting options, Bromic offers solutions to compliment any décor and provide functionality for ambiance and comfort.

CEILING & WALL CLEARANCE

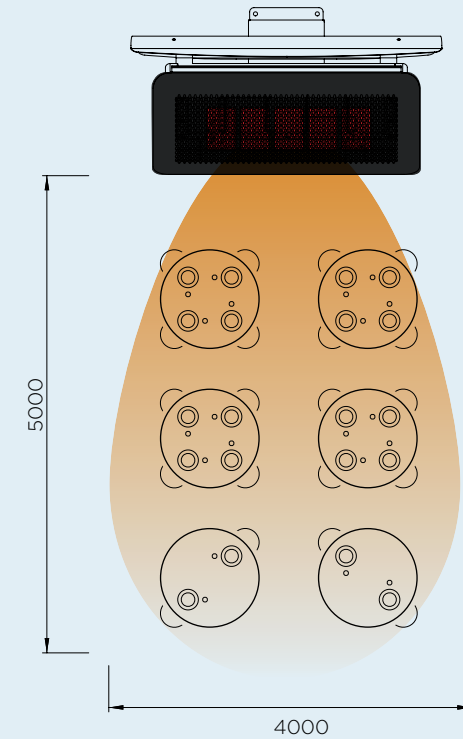



HEATING REACH

Creating ideal comfort levels, Bromic heaters offer a variety of heat distribution options to suit your outdoor heating needs.

HEAT AREAS

TUNGSTEN PORTABLE
HEATING APPROXIMATELY 20 m²
40MJ HEATING POWER





EXTEND THE BOUNDARIES OF
INSIDE SPACE, BY INCLUDING
THE OUTDOORS. CONTROL THE
CLIMATE IN YOUR NEXT PROJECT
WITH BROMIC SMART-HEAT™.

[BROMIC.COM/HEAT](https://www.bromic.com/heat)

ASIA PACIFIC | NORTH AMERICA | EUROPE

Bromic pursues a policy of continuing improvement in design and performance of its products. The right is therefore reserved to vary specifications without notice.